

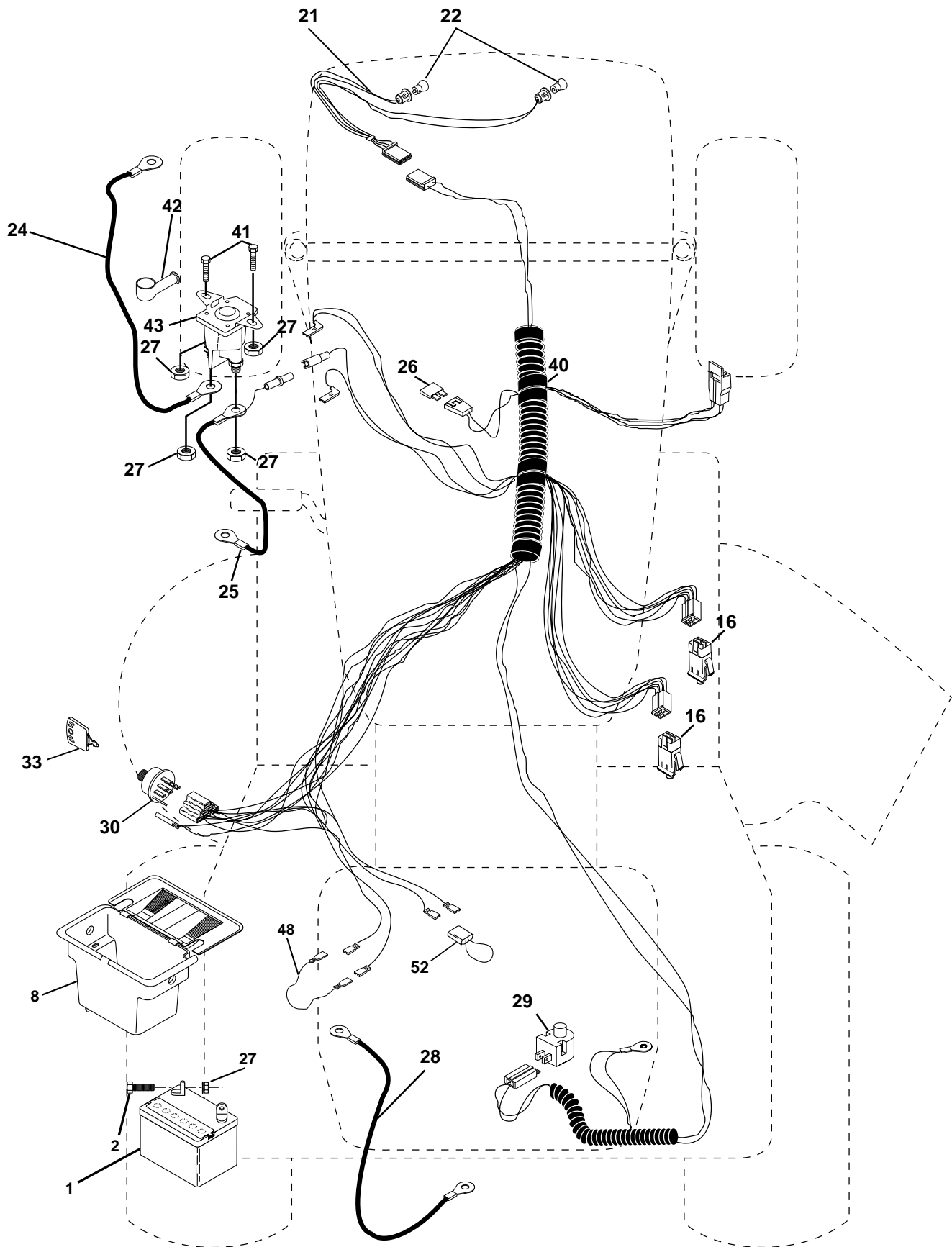
ILLUSTRATED PARTS BREAKDOWN

**BERNARD
12.0 HP 36" LAWN TRACTOR
MODEL NO. BL12T36 (BLT1236A)**

REPAIR PARTS

TRACTOR - - MODEL NUMBER BL12T36 (BLT1236A)

ELECTRICAL



REPAIR PARTS

TRACTOR - - MODEL NUMBER BL12T36 (BLT1236A)

ELECTRICAL

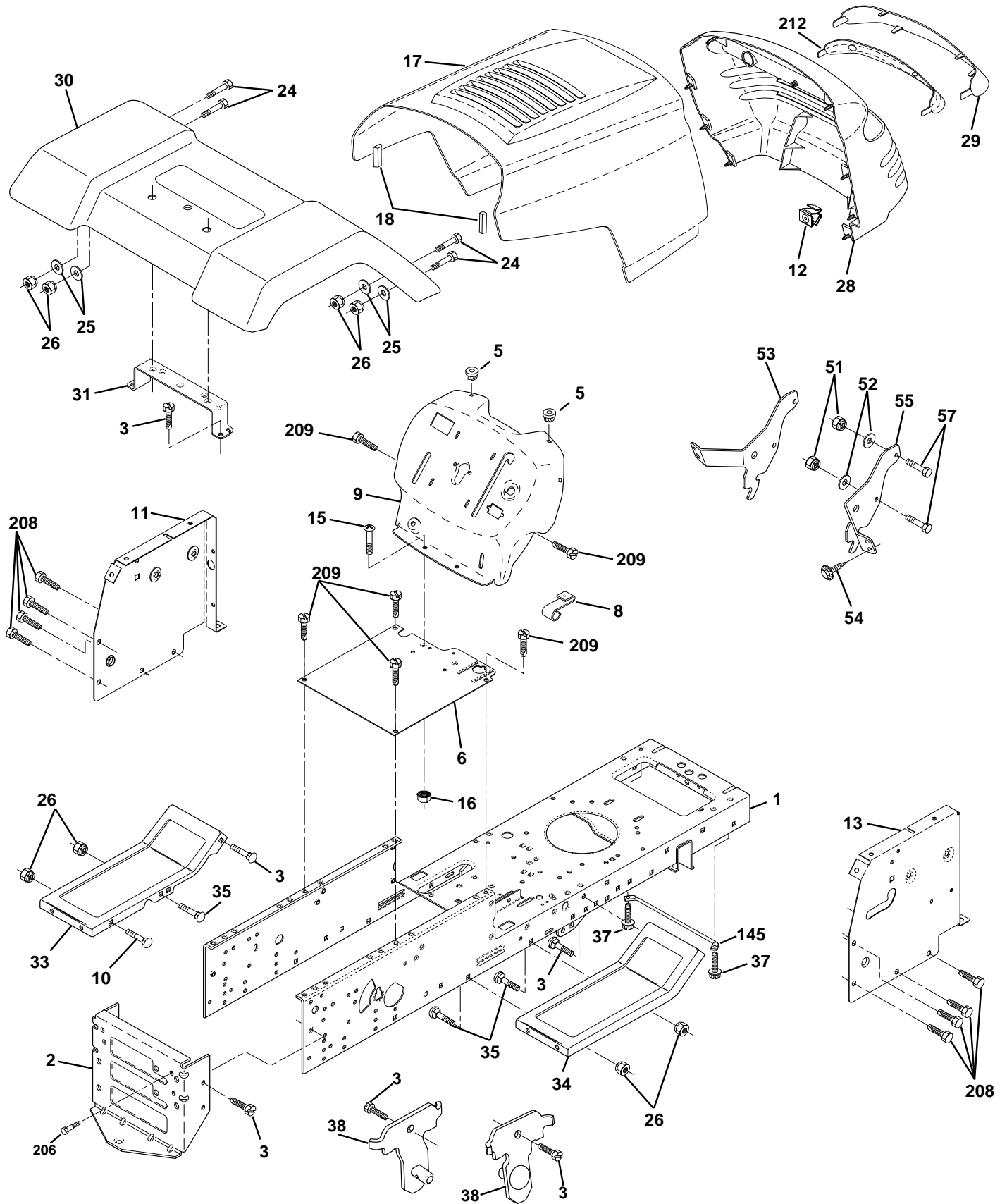
| KEY NO. | PART NO. | DESCRIPTION |
|---------|----------|---------------------------------|
| 1 | 144925 | Battery 12 Volt 25 AMP |
| 2 | 74760412 | Bolt Hex Hd 1/4-20unc X 3/4 |
| 8 | 156417 | Case Battery |
| 16 | 153664 | Switch Interlock Push-In |
| 21 | 166181 | Harness Asm Light W/4152j |
| 22 | 4152J | Bulb Light #1156 |
| 24 | 108423X | Cable Battery |
| 25 | 146147 | Cable Battery 6 Ga 44" red |
| 26 | 175158 | Fuse 20 AMP |
| 27 | 73510400 | Nut Keps Hex 1/4-20 Unc |
| 28 | 4207J | Cable Ground 6 Ga 12" black |
| 29 | 121305X | Switch Plunger Nc Gray |
| 30 | 175566 | Switch Ign |
| 33 | 140401 | Key Ign |
| 40 | 170217 | Harness Ignition |
| 41 | 71110408 | Bolt Blk Fin Hex 1/4 - 20 x 1/2 |
| 42 | 131563 | Cover Terminal Red |
| 43 | 175141 | Solenoid |
| 48 | 140844 | Adapter Ammeter |
| 52 | 141940 | Protection Wire Loop |

NOTE: All component dimensions give in U.S. inches
1 inch = 25.4 mm.

REPAIR PARTS

TRACTOR - - MODEL NUMBER BL12T36 (BLT1236A)

CHASSIS AND ENCLOSURES



REPAIR PARTS

TRACTOR - - MODEL NUMBER BL12T36 (BLT1236A)

CHASSIS AND ENCLOSURES

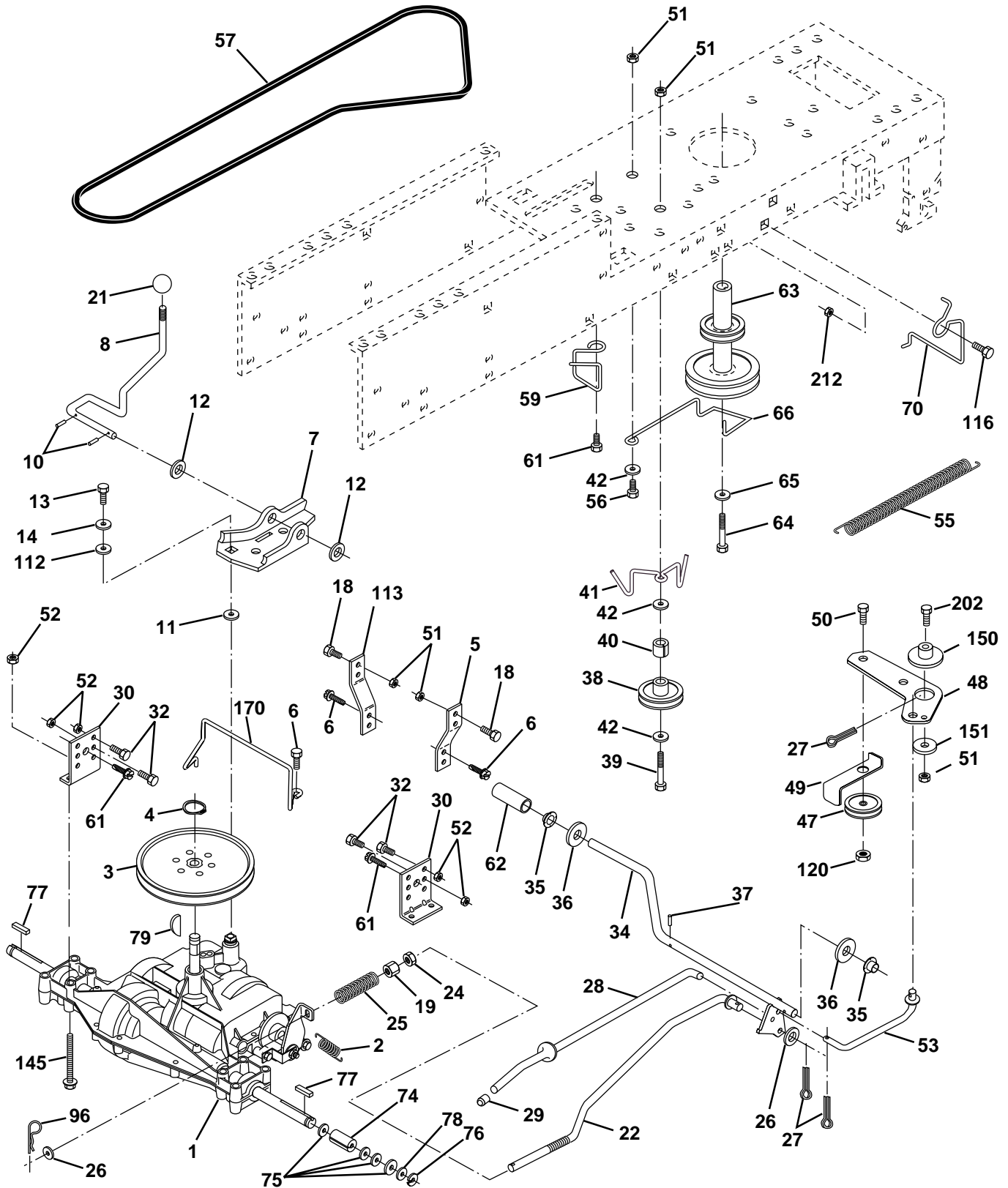
| KEY NO. | PART NO. | DESCRIPTION |
|---------|------------|--------------------------------------|
| 1 | 169831 | Chassis |
| 2 | 169061 | Drawbar |
| 3 | 17060612 | Screw, 3/8-16 x 3/4 SMGML Tap/R |
| 5 | 155272 | Bumper Hood/Dash |
| 6 | 155924X011 | Saddle Flat |
| 8 | 155138 | Clip Retainer Slide-On |
| 9 | 168347X011 | Dash P/L |
| 10 | 72140608 | Bolt, Rdhd Sqnk 3/8-16 x 1 |
| 11 | 155927 | Panel Asm. Dash LH |
| 12 | 145660 | Clip Tinnerman Grille P/L |
| 13 | 172107X010 | Dash, Panel RH |
| 15 | 74180512 | Screw Mach. Trhd 5/16-18 UNC x 3/4 |
| 16 | 73510500 | Nut Keps 5/16-18 UNC |
| 17 | 159639X421 | Hood Pnt Stl PL |
| 18 | 126938X | Bumper Hood |
| 24 | 74780616 | Bolt, Hex , Fin. 3/8-16UNC x 1 Gr. 5 |
| 25 | 19131312 | Washer 13/32 x 13/16 x 12 Gauge |
| 26 | 73800600 | Nut Lock Hex w/Ins. 3/8-16 Unc |
| 28 | 157428 | Grille |
| 29 | 146654X599 | Lens Grille |
| 30 | 169465X421 | Fender Pnt |
| 31 | 136619 | Bracket Fender |
| 33 | 105476X418 | Footrest Pnt., LH |
| 34 | 105475X418 | Footrest Pnt., RH |
| 35 | 72110606 | Bolt Rdhd Sht. Sqnk 3/8-16 X 3/4 |
| 37 | 17490508 | Screw Thdrol 5/16-18 x 1/2 Tyt |
| 38 | 169834 | Bracket Asm Pivot Mower Rear |
| 51 | 73800400 | Nut Lock Hex W/Ins 1/4-20 |
| 52 | 19091416 | Washer 9/32 x 7/8 x 16 Ga. |
| 53 | 144697 | Bracket, Grille LH |
| 54 | 161464 | Screw Hex WSHD 8-18 x 7/8 |
| 55 | 144696 | Bracket Grille RH |
| 57 | 74780412 | Bolt Fin Hex 1/4-20 x 3/4 |
| 145 | 156524 | Rod Pivot Chassis/Hood |
| 206 | 170165 | Bolt Shoulder 5/16-18 |
| 208 | 17670608 | Screw Thdrol 3/8-16 x 1/2 |
| 209 | 17000612 | Screw Hexwsh Thdro 3/8-16 x 3/4 |
| 212 | 156229 | Insert Lens Relfect |
| -- | 5479J | Plug Btn Blk .359 Dia Ch/Inf |

NOTE: All component dimensions given in U.S. inches
1 inch = 25.4 mm

REPAIR PARTS

TRACTOR - - MODEL NUMBER BL12T36 (BLT1236A)

DRIVE



REPAIR PARTS

TRACTOR - - MODEL NUMBER BL12T36 (BLT1236A)

DRIVE

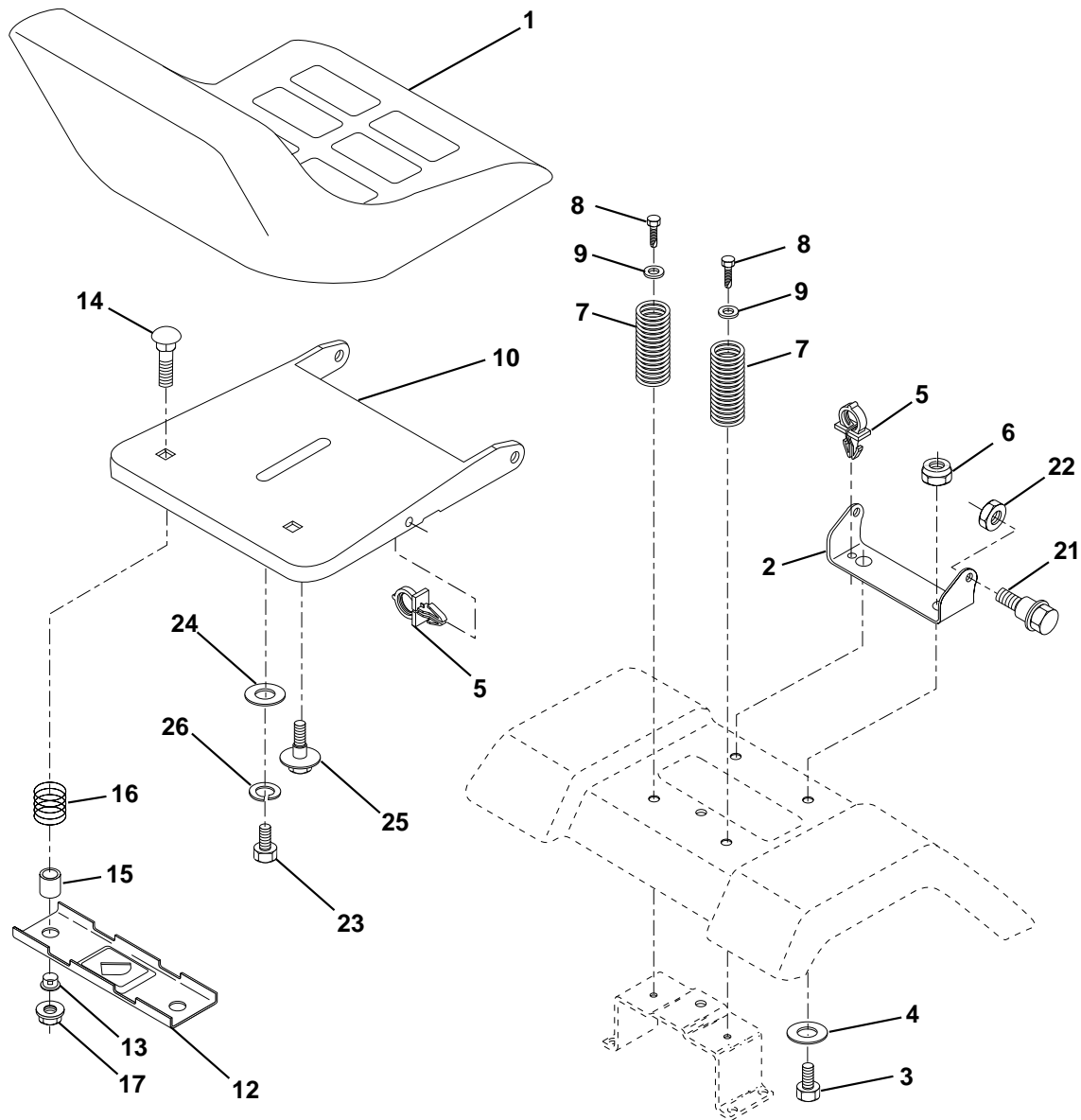
| KEY NO. | PART NO. | DESCRIPTION | KEY NO. | PART NO. | DESCRIPTION |
|---------|----------|--|---------|----------|-----------------------------------|
| 1 | ----- | Transaxle (See Breakdown) Peerless, Model 205-544C Order parts from transaxle manufacturer | 48 | 154407 | Bellcrank Asm Clutch |
| 2 | 146682 | Spring, Brake Return | 49 | 123205X | Retainer, Belt |
| 3 | 123666X | Pulley, Transaxle | 50 | 74760624 | Bolt, Hex 3/8-16 x 1-1/2 |
| 4 | 12000028 | Ring, Retainer | 51 | 73680600 | Nut, Crownlock 3/8-16 |
| 5 | 121520X | Strap, Torque | 52 | 73680500 | Nut, Crownlock 5/16-18 |
| 6 | 17060512 | Screw, 5/16-18 x 3/4 SMGML | 53 | 105710X | Link, Clutch |
| 7 | 162240 | Bracket, T/A, Saddle Shift | 55 | 105709X | Spring, Return, Clutch |
| 8 | 131679 | Rod, Shifter | 56 | 74760620 | Bolt, Fin, Hex 3/8-16unc x 1-1/2 |
| 10 | 76020416 | Pin, Cotter 1/8 x 1 | 57 | 130801 | V-Belt, Drive |
| 11 | 105701X | Washer, Shift Plate | 59 | 169691 | Keeper Belt Center Span |
| 12 | 19151216 | Washer 15/32 x 3/4 x 16 | 61 | 17060612 | Screw, 3/8-16 x 3/4 SMGML |
| 13 | 74550412 | Bolt 1/4-28 UNF Gr. 8 w/Patch | 62 | 8883R | Cover, Foot Pedal |
| 14 | 10040400 | Washer Lock | 63 | 140186 | Pulley, Engine |
| 18 | 74780616 | Bolt, Fin Hex 3/8-16 Unc x 1 Gr. | 64 | 71170764 | Bolt, Hex 7/16-20 x 4 Gr. 5 |
| 19 | 73800600 | Locknut 3/8-16 | 65 | 10040700 | Washer, Lock Hvy Hlcl Spr 7/16 |
| 21 | 106933X | Knob | 66 | 154778 | Keeper, Belt Engine F-Proof |
| 22 | 130804 | Rod, Brake | 70 | 134683 | Guide Belt Mower Drive RH |
| 24 | 73350600 | Nut, Hex Jam 3/8-16 | 72 | 19132012 | Washer 13/32 x 1-1/4 x 12 Ga. |
| 25 | 106888X | Spring, Rod, Brake | 74 | 137057 | Spacer, Split |
| 26 | 19131316 | Washer 13/32 x 13/16 x 16 Gauge | 75 | 121749X | Washer 25/32 x 1-1/4 x 16 Ga. |
| 27 | 76020412 | Pin, Cotter 1/8 x 3/4 | 76 | 12000001 | E-Ring |
| 28 | 145204 | Rod, Brake, Park | 77 | 123583X | Key Square |
| 29 | 71673 | Cap, Plunger | 78 | 121748X | Washer 25/32 x 1-5/8 x 16 Ga. |
| 30 | 174973 | Bracket, Transaxle, L.H. | 79 | 2228M | Key Woodruff #9 3/16 x 3/4 |
| 32 | 74760512 | Bolt Hex Hd 5/16-18 UNC x 3/4 | 96 | 4497H | Retainer Spring 1" Ziinc/Cad |
| 34 | 155071 | Shaft, Foot Pedal | 112 | 19091210 | Washer 9/32 x 3/4 x 10 Ga. |
| 35 | 120183X | Bearing Nylon | 113 | 127285X | Strap Torque L.H. Lt |
| 36 | 19211616 | Washer 21/32 x 1 x 16 Gauge | 116 | 72110610 | Bolt, RdHd Sq Neck 3/8-16 x 1.25 |
| 37 | 1572H | Pin, Roll 3/16 x 1 | 145 | 74490540 | Bolt, Hex Flghd 5/16-18 Gr. 5 |
| 38 | 131494 | Idler, Flat | 150 | 165850 | Bushing, Bellcrank Grd Dr. |
| 39 | 74760644 | Bolt Fin Hex 3/8-16 x 2-3/4 | 151 | 19133210 | Washer 13/32 x 2 x 10 Ga. |
| 40 | 4470J | Spacer | 170 | 173898 | Keeper, Belt, Transaxle GD. |
| 41 | 165838 | Keeper, Belt | 202 | 72110612 | Bolt Carr Sh 3/8-16 x 1-1/2 Gr. 5 |
| 42 | 19131312 | Washer 13/32 x 13/16 x 12 Gauge | 204 | 17060512 | Screw 5/16-18 x 3/4 SMGML Tap/R |
| 47 | 127783 | Pulley, Idler | | | |

NOTE: All component dimensions give in U.S. inches.
1 inch = 25.4 mm.

REPAIR PARTS

TRACTOR - - MODEL NUMBER BL12T36 (BLT1236A)

SEAT



| KEY NO. | PART NO. | DESCRIPTION |
|---------|----------|---------------------------------|
| 1 | 175389 | Seat |
| 2 | 140551 | Bracket, Pivot, Seat |
| 3 | 71110616 | Fin Hex 3/8-16unc x 1 |
| 4 | 19131610 | Washer 13/32 x 1 x 10 Ga. |
| 5 | 145006 | Clip, Push-in |
| 6 | 73800600 | Nut |
| 7 | 124181X | Spring, Seat |
| 8 | 17000616 | Screw, 3/8-16 x 1.5 SMGML Tap/R |
| 9 | 19131614 | Washer 13/32 x 1 x 14 Ga. |
| 10 | 174894 | Pan, Seat |
| 12 | 121246X | Bracket, Mounting, Switch, Seat |
| 13 | 121248X | Bushing, Nylon |

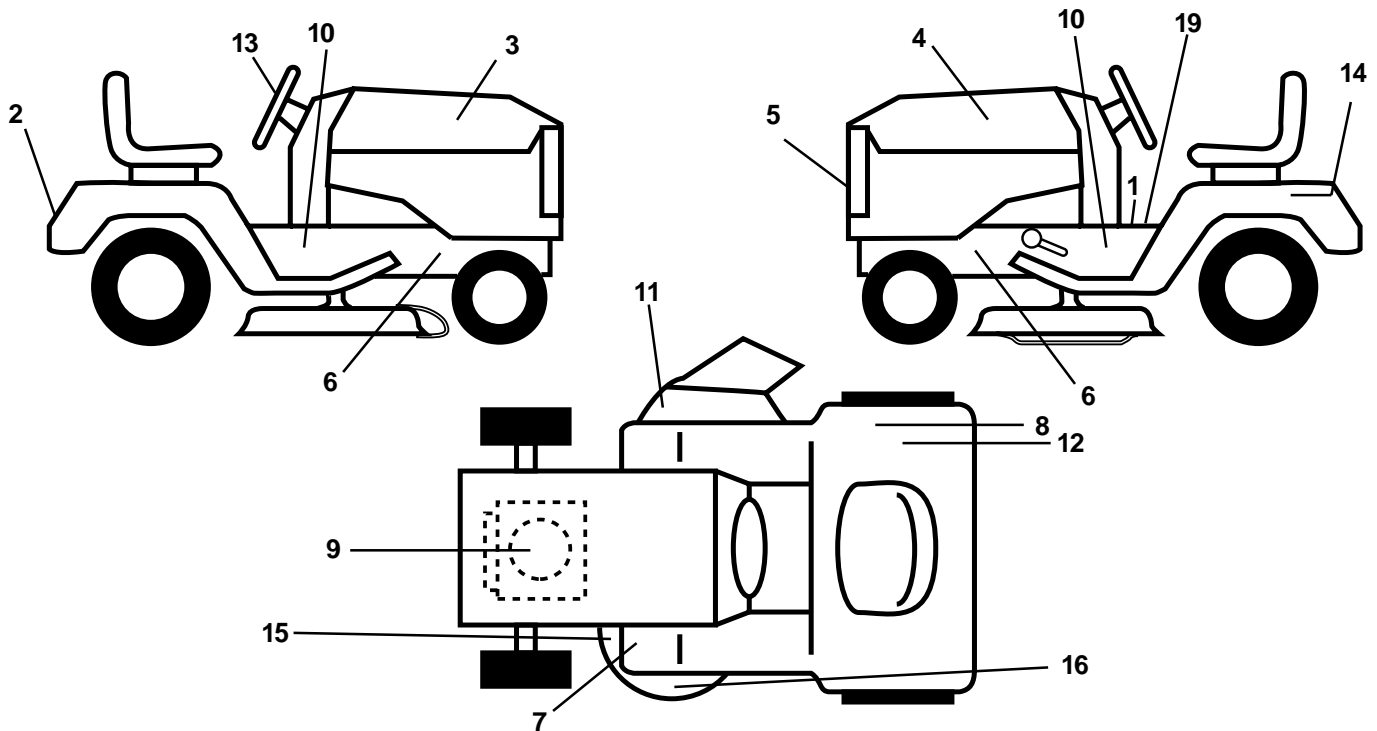
| KEY NO. | PART NO. | DESCRIPTION |
|---------|----------|--------------------------------|
| 14 | 72050412 | Nut, Crownlock 1/4-20 x 1-3/8 |
| 15 | 134300 | Spacer, Split |
| 16 | 121250X | Spring |
| 17 | 123976X | Nut, Lock, Flange 1/4 Gr. 5 |
| 21 | 171852 | Bolt, Shoulder 5/16-18 UNC-2A |
| 22 | 73800500 | Nut |
| 23 | 71110814 | Bolt Hex |
| 24 | 19171912 | Washer 17/32 x 1-3/16 x 12 Ga. |
| 25 | 127018X | Bolt Shoulder 5/16-18 x .62 |
| 26 | 10040800 | Washer Lock Hvy Hclc Spr 1/2 |

NOTE: All component dimensions given in U.S. inches
1 inch = 25.4 mm

REPAIR PARTS

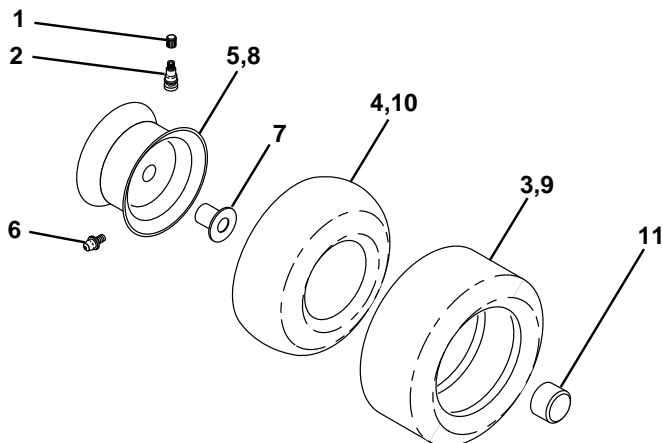
TRACTOR - - MODEL NUMBER BL12T36 (BLT1236A)

DECALS



| KEY NO. | PART NO. | DESCRIPTION | KEY NO. | PART NO. | DESCRIPTION |
|---------|------------|-------------------------------|---------|----------|--|
| 1 | 145498 | Decal, Instruction, Operation | 10 | 171094 | Decal, Chassis |
| 2 | 166708 | Decal, Fender | 11 | 145494 | Decal, Mower Cutfinger Symbol |
| 3 | 175960 | Decal, Hood RH | 12 | 126187X | Decal 100 DBA |
| 4 | 175961 | Decal, Hood LH | 13 | 166285 | Decal, Wheel Steering |
| 5 | 166287 | Decal, Lens | 14 | 145005 | Decal, Btry Dngr/Psn P/L Sym |
| 6 | 159736 | Decal, Chassis Hot Muffler | 15 | 136832 | Decal, V-Belt |
| 7 | 159737 | Decal, Brake/Clutch Symbol LT | 16 | 134999 | Decal, Deck |
| 8 | 145437 | Decal, Europe Stand CE | 19 | 140837 | Decal, Parking Brake |
| 9 | 64-1724-29 | Decal, HP Engine | -- | 138311 | Decal, Handle, Lift, Height Adjust (Lift Handle) |
| | | | -- | 162598 | Decal, Drawbar Load Limit |
| | | | -- | 176242 | Manual, (Euro) Operator's |
| | | | -- | 176243 | Manual, Repair Parts |

TIRES AND WHEELS



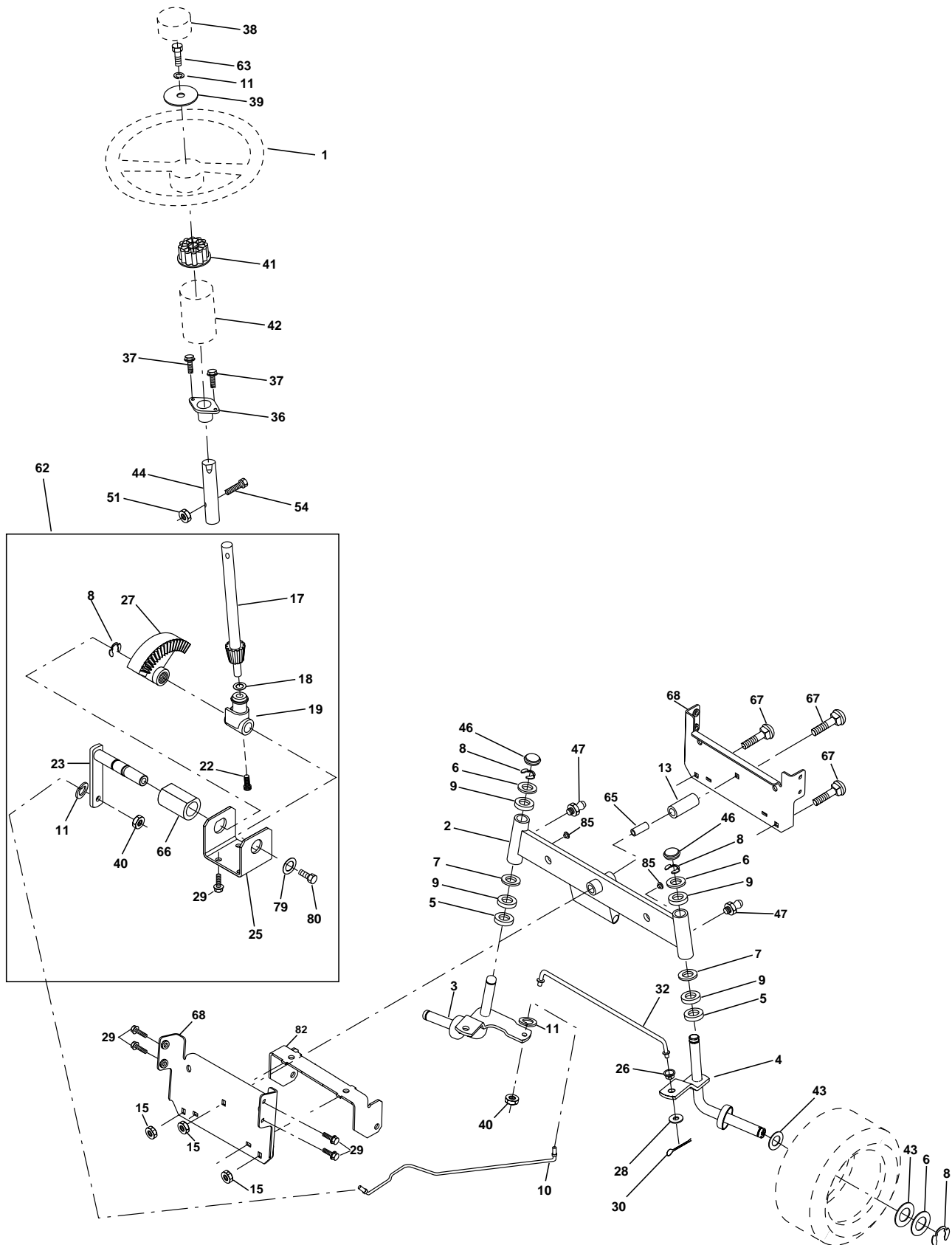
| KEY NO. | PART NO. | DESCRIPTION |
|---------|------------|-----------------------------------|
| 1 | 59192 | Cap, Valve |
| 2 | 65139 | Stem, Valve |
| 3 | 106222X | Tire Front |
| 4 | 59904 | Tube, Front (not furnished) |
| 5 | 106732X421 | Rim, Asm. Front |
| 6 | 278H | Grease Fitting (rear tire only) |
| 7 | 9040H | Bearing, Flange (front tire only) |
| 8 | 106108X421 | Rim, Asm. Rear |
| 9 | 124635X | Tire, Rear |
| 10 | 7152J | Tube, Rear (not furnished) |
| 11 | 104757X428 | Cap, Axle |
| -- | 144334 | Sealant, Tire (10 oz. Tube) |

NOTE: All component dimensions given in U.S. inches
1 inch = 25.4 mm

REPAIR PARTS

TRACTOR - - MODEL NUMBER BL12T36 (BLT1236A)

STEERING WHEEL



REPAIR PARTS

TRACTOR - - MODEL NUMBER BL12T36 (BLT1236A)

STEERING WHEEL

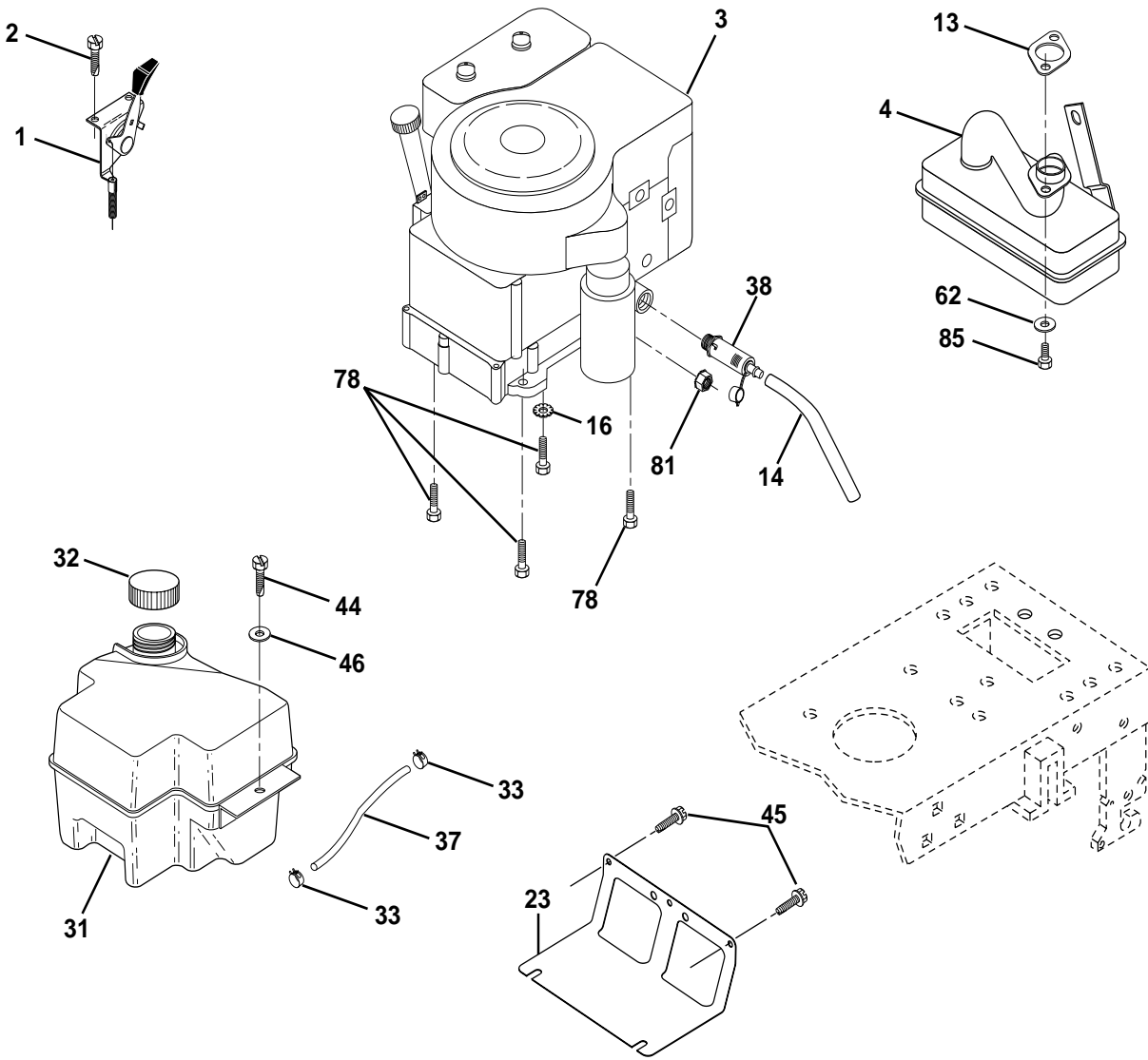
| KEY NO. | PART NO. | DESCRIPTION |
|---------|------------|------------------------------------|
| 1 | 139768 | Wheel Steering |
| 2 | 154427 | Axle Asm Front |
| 3 | 169840 | Spindle Asm LH |
| 4 | 169839 | Spindle Asm RH |
| 5 | 6266H | Bearing, Race, Thrust Hardened |
| 6 | 121748X | Washer 25/32 X 1-5/8 X 16 Ga |
| 7 | 19272016 | Washer 27/32 X 1-1/4 X 16 Ga |
| 8 | 12000029 | Ring Klip |
| 9 | 3366R | Bearing |
| 10 | 169832 | Link Drag |
| 11 | 10040600 | Washer Lock Hvy Hlcl Spr 3/8 |
| 13 | 163518 | Spacer Brg. Axle Front |
| 15 | 145212 | Nut Hexflange Lock |
| 17 | 156546 | Steering, Assembly Shaft |
| 18 | 57079 | Washer Thrust 515x 750x 033 |
| 19 | 160395 | Support Shaft |
| 22 | 165857 | Screw Hex WSHHD Torx |
| 23 | 165851 | Shaft Asm Pittman |
| 25 | 154406 | Bracket Steering |
| 26 | 126847X | Bushing Link Drag Blk Lr |
| 27 | 136874 | Gear Sector |
| 28 | 19131416 | Washer 13/32 x 7/8 x 16 Ga. |
| 29 | 17060612 | Screw 3/8-16x3/4 SMGML Tap/R |
| 30 | 76020412 | Pin Cotter 1/8 x 3/4 CAD |
| 32 | 130465 | Rod Connecting |
| 36 | 155099 | Bushing Steering |
| 37 | 152927 | Screw TT #10-32 X 5 x 3/8 Flange |
| 38 | 140175 | Cap Wheel Steering |
| 39 | 19133812 | Washer 13/32 x 2-3/8 x 12 Ga |
| 40 | 7810H | Nut Lock Center 3/8-24 Unf |
| 41 | 100711L | Adapter Wheel Strg |
| 42 | 145054X428 | Boot Steering |
| 43 | 121749X | Washer 25/32 X 1 1/4 X 16 Ga |
| 44 | 153720 | Extension Steering |
| 46 | 121232X | Cap Spindle |
| 47 | 6855M | Fitting Grease |
| 51 | 73800500 | Nut Lock Hex W/Ins. 5/16-18 Unc P |
| 54 | 74780520 | Bolt Fin Hex 5/16-18 Unc 6 x 1-1/4 |
| 62 | 167902 | Kit Steering Asm. Service |
| 63 | 74780616 | Bolt Fin Hex 3/8-16unc x 1 Gr. 5 |
| 65 | 160367 | Spacer Brace Axle |
| 66 | 154404 | Bearing Arm Pittman |
| 67 | 72140618 | Bolt RDHD SQ 3/8-16UNC x 2-1/4 |
| 68 | 169827 | Brace Axle |
| 79 | 19132012 | Washer 13/32 x 1-1/4 x 12 |
| 80 | 74950612 | Bolt, Hex Nylon 3/8-16 x 3/4 |
| 82 | 169835 | Bracket Susp. Chassis Front |
| 85 | 133835 | Fastener Christmas Tree |

NOTE: All component dimensions given in U.S. inches
1 inch = 25.4 mm

REPAIR PARTS

TRACTOR - - MODEL NUMBER BL12T36 (BLT1236A)

ENGINE



29

OPTIONAL EQUIPMENT
Spark Arrester

REPAIR PARTS

TRACTOR - - MODEL NUMBER BL12T36 (BLT1236A)

ENGINE

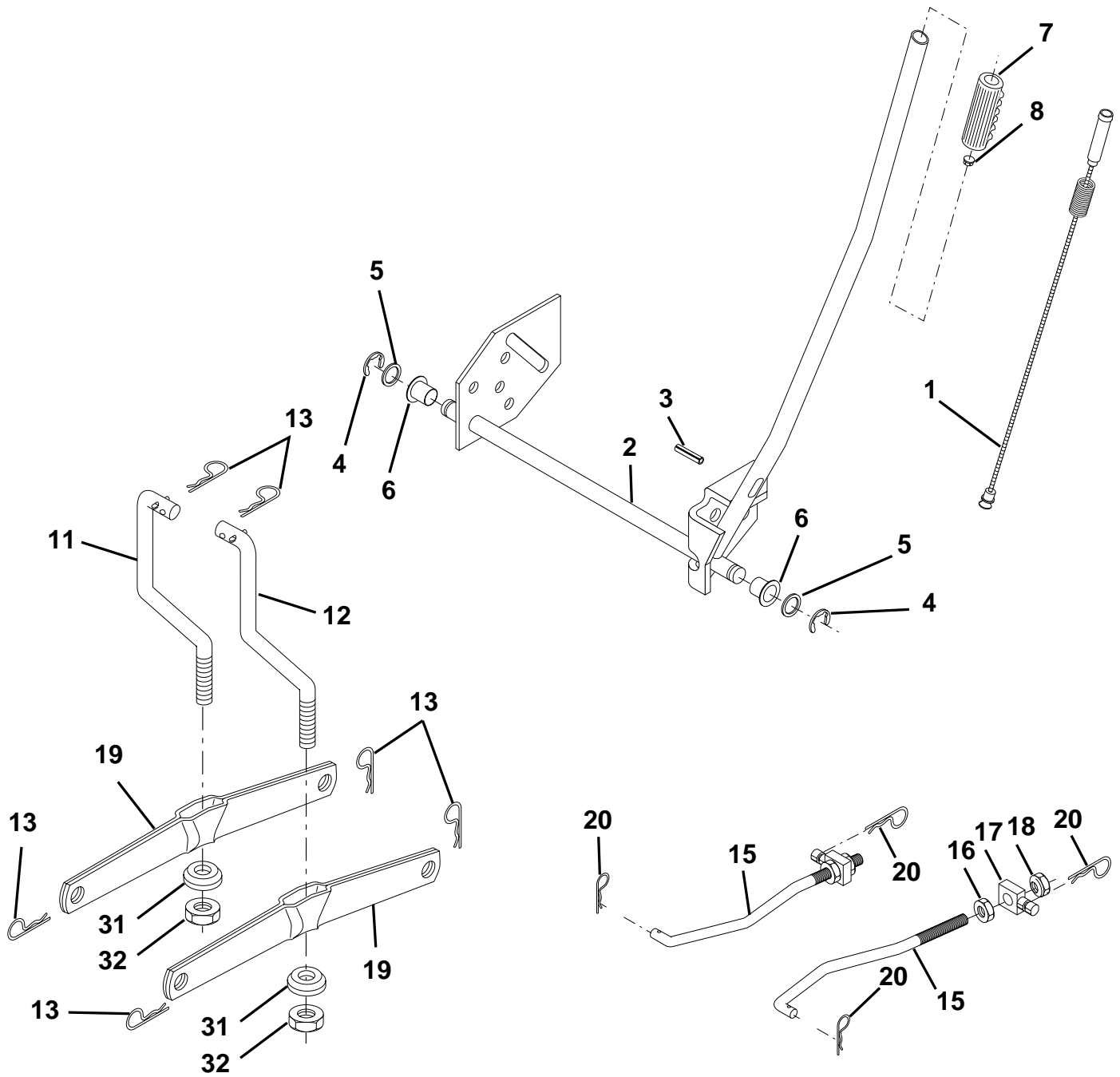
| KEY NO. | PART NO. | DESCRIPTION |
|---------|----------|---|
| 1 | 170865 | Control Th/ch |
| 2 | 17720410 | Screw Hex Thd Cut 1/4-20x5/8 T |
| 3 | ----- | Engine, Tecumseh Model OHV120 Order parts from engine manufacturer |
| 4 | 156700 | Muffler Exhaust |
| 13 | 165291 | Gasket Muffler |
| 14 | 148456 | Tube Drain Oil Easy |
| 16 | 11050600 | Washer Lock Ext Tooth 3/8 |
| 23 | 169837 | Shield BRN/DBR Guard |
| 29 | 137180 | Kit Spark Arrestor (Flat Scrm) |
| 31 | 109202X | Tank Fuel Front |
| 32 | 140527 | Cap Asm Fuel |
| 33 | 123487X | Clamp Hose Blk |
| 37 | 137040 | Line Fuel |
| 38 | 148315 | Plug Drain Oil Easy |
| 40 | 124028X | Bushing Snap Nyl Blk Fuel Line |
| 44 | 17670412 | Screw Hexwsh Thdrol 1/4-20x3/4 |
| 45 | 17000612 | Screw Hex Wsh Thdrol 3/8-16 |
| 46 | 19091416 | Washer 9/32 X 7/8 X 16 Ga |
| 62 | 10040500 | Washer 5/16 |
| 78 | 17060620 | Screw 3/8-16x1-1/4 SMGML Tap/R |
| 81 | 73510400 | Nut Keps Hex 1/4-20 UNC |
| 85 | 123528X | Bolt, Hex Hd Phillips |

NOTE: All component dimensions given in U.S. inches.
1 inch = 25.4 mm.

REPAIR PARTS

TRACTOR - - MODEL NUMBER BL12T36 (BLT1236A)

MOWER LIFT



REPAIR PARTS

TRACTOR - - MODEL NUMBER BL12T36 (BLT1236A)

MOWER LIFT

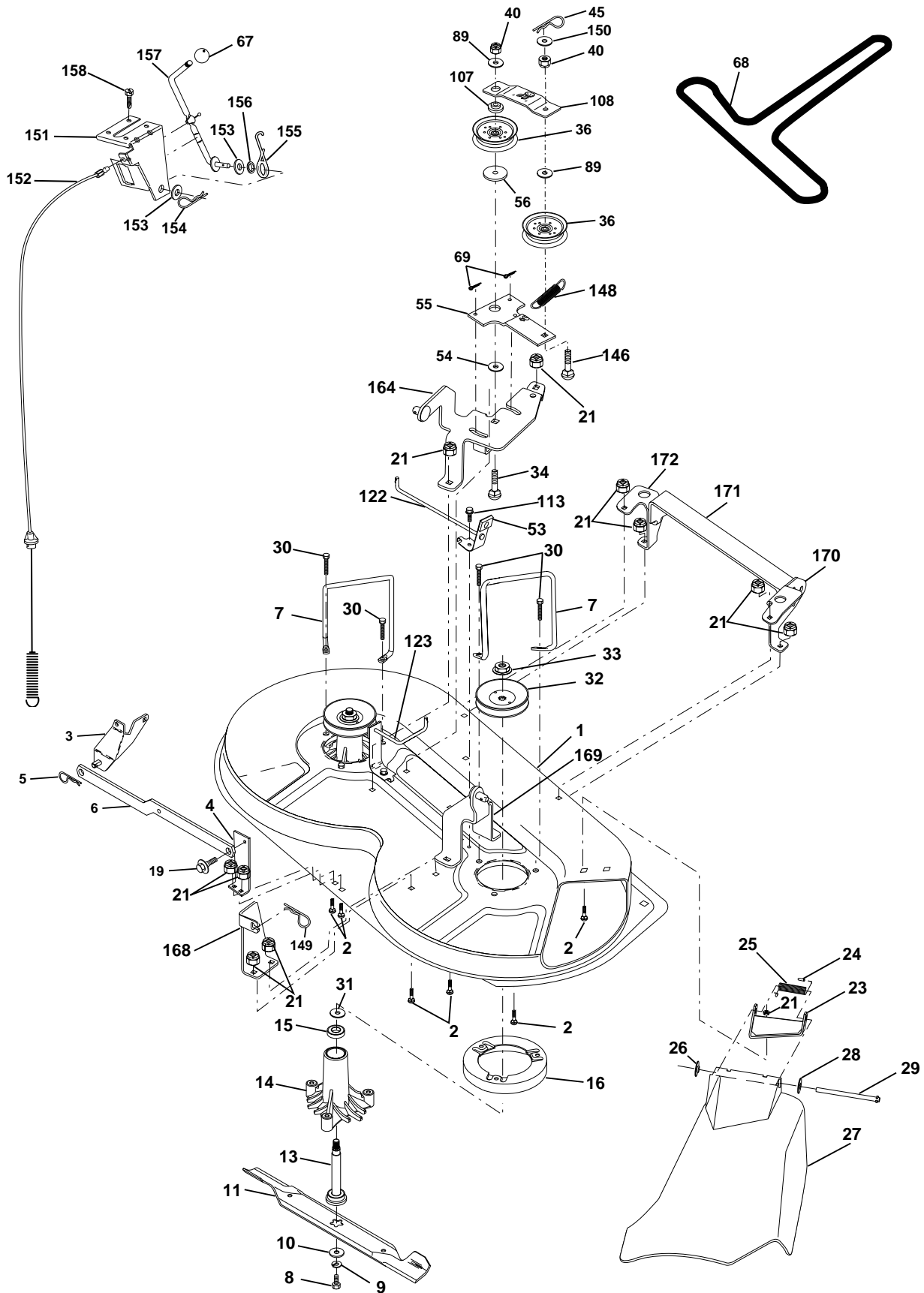
| KEY NO. | PART NO. | DESCRIPTION |
|---------|----------|--------------------------------|
| 1 | 159460 | Wire Asm. Inner/Sprg w/Plunger |
| 2 | 159471 | Shaft, Asm., Lift R/H |
| 3 | 105767X | Pin, Groove |
| 4 | 12000002 | Ring, E #5133-62 |
| 5 | 19211621 | Washer 21/32 x 1 x 21 Ga. |
| 6 | 120183X | Bearing, Nylon |
| 7 | 109413X | Grip Handle Bicycle Matte Blk |
| 8 | 124526X | Button, Plunger |
| 11 | 139865 | Link, Lift, Lh |
| 12 | 139866 | Link, Lift, Rh |
| 13 | 4939M | Spring, Retainer |
| 15 | 173288 | Link, Front |
| 16 | 73350800 | Nut, Jam, Hex 1/2-13 Unc |
| 17 | 130171 | Trunnion |
| 18 | 73680800 | Nut, Crownlock 1/2-13 Unc |
| 19 | 139868 | Arm, Suspension, Rear |
| 20 | 163552 | Spring, Retainer Zinc |
| 31 | 169865 | Bearing, Pvt Lft |
| 32 | 73540600 | Nut Crownlock 3/8-24 |

NOTE: All component dimensions given in U.S. inches
1 inch = 25.4 mm

REPAIR PARTS

TRACTOR - - MODEL NUMBER BL12T36 (BLT1236A)

MOWER DECK



REPAIR PARTS

TRACTOR - - MODEL NUMBER BL12T36 (BLT1236A)

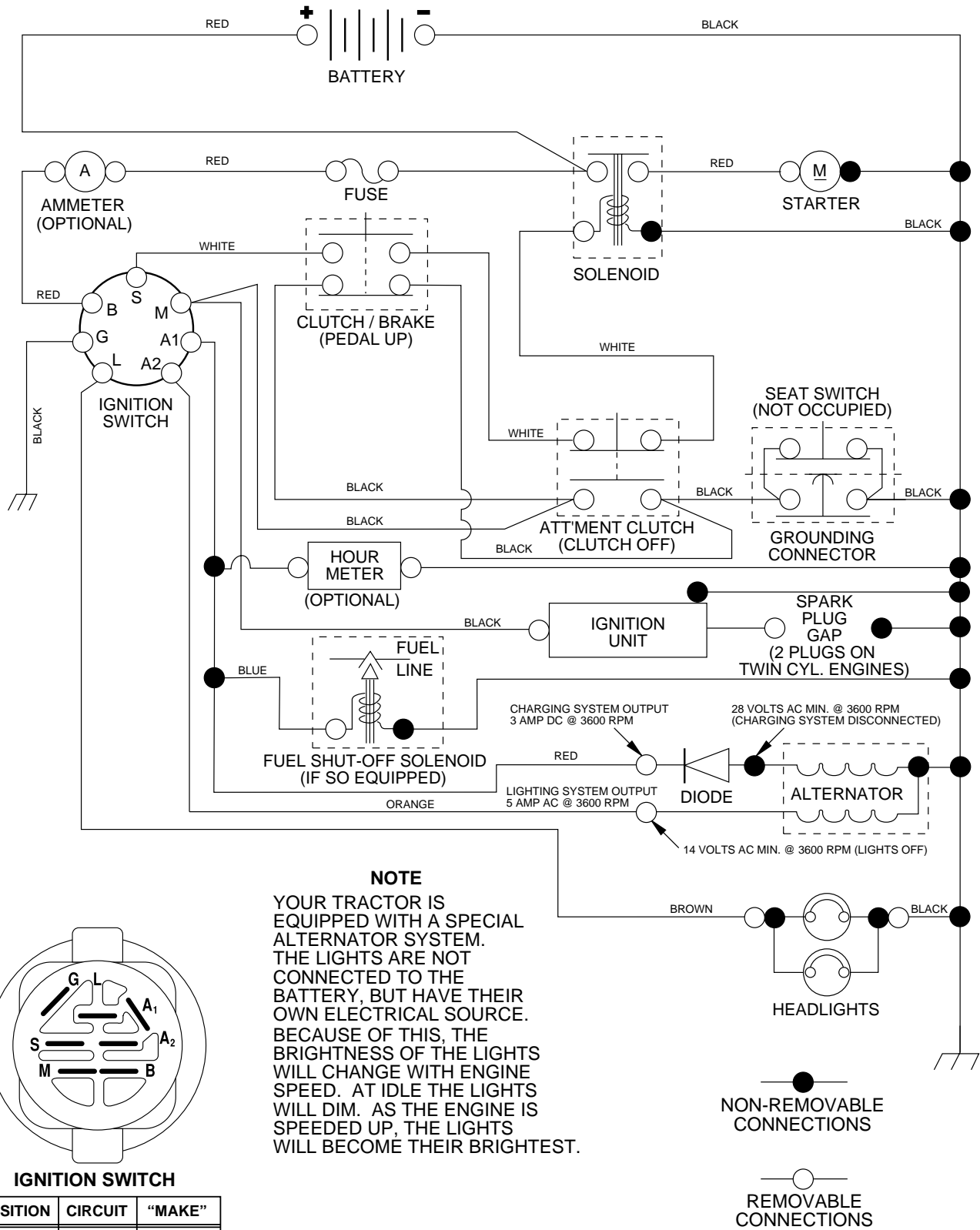
MOWER DECK

| KEY NO. | PART NO. | DESCRIPTION | KEY NO. | PART NO. | DESCRIPTION |
|---------|------------|---------------------------------|---------|----------|---|
| 1 | 174595 | Mower Deck Assembly | 56 | 165723 | Spacer, Retainer |
| 2 | 72140506 | Bolt | 67 | 106932X | Knob RD 3/8-16 Plstc Thd |
| 3 | 138017 | Bracket Assembly, Sway Bar | 68 | 174978 | Belt |
| 4 | 175654 | Bracket Sway Bar | 69 | 76020312 | Pin, Cotter 3/32 x 3/4 |
| 5 | 124670 | Retainer Spring | 89 | 19131612 | Washer 13/32 x 1 x 12 Ga |
| 6 | 130832 | Arm, Suspension, Rear | 107 | 133502 | Spacer, Retainer |
| 7 | 140608 | Keeper Belt | 108 | 133503 | Stiffener, Idler Arm |
| 8 | 850857 | Bolt, Hex 3/8-24 x 1.25 Gr. 8 | 113 | 17490508 | Screw Thdrol 5/16-18 x 1/2 |
| 9 | 10030600 | Washer, Lock Hvy Hlcl 3/8 | 122 | 174505 | Rod, Brake, LH |
| 10 | 140296 | Washer, Hardened | 123 | 174504 | Rod, Brake, RH |
| 11 | 138496 | Blade, Mower | 146 | 165891 | Bolt Carriage Idler |
| 13 | 137645 | Shaft Assembly, Mandrel, Vented | 148 | 169022 | Spring Return Idler |
| 14 | 128774 | Housing, Mandrel, Vented | 149 | 165898 | Retainer Spring Yellow Zinc |
| 15 | 110485X | Bearing, Ball, Mandrel | 150 | 19091216 | Washer 9/32 x 3/4 x 16 Ga. |
| 16 | 140329 | Stripper, Vented Mower Deck | 151 | 169670 | Bracket Clutch |
| 19 | 132827 | Bolt, Shoulder | 152 | 176079 | Cable Clutch |
| 21 | 73680500 | Nut Crownlock 5/16-18 | 153 | 169674 | Washer Flat 3/8" Type B |
| 23 | 136631 | Bracket, Mower Deflector | 154 | 169675 | Spring Retainer |
| 24 | 105304X | Cap, Sleeve | 155 | 169671 | Spring Retention Lever |
| 25 | 123713X | Spring, Torsion, Deflector | 156 | 169672 | Spacer |
| 26 | 110452X | Nut, Push | 157 | 169669 | Rod Clutch |
| 27 | 175029X428 | Shield, Deflector | 158 | 17720410 | Screw Hex Thd Cut 1/4-20x5/8 |
| 28 | 19111016 | Washer 11/32 x 5/8 x 16 Ga. | 164 | 174976 | Bracket Asm Idler Support |
| 29 | 121980X | Rod, Hinge | 168 | 172377 | Bracket Deck Cable |
| 30 | 157722 | Screw Thdrol Washer Head | 169 | 174977 | Bracket Asm Suspension |
| 31 | 129963 | Washer, Spacer | 170 | 172359 | Bracket Suspension RF |
| 32 | 153531 | Pulley, Mandrel | 171 | 165237 | Bracket Support Suspension Frt |
| 33 | 137266 | Nut, Toplock, Flanged | 172 | 172355 | Bracket Suspension LF |
| 34 | 72110614 | Bolt Rdhd 3/8-16 x 1-3/4 | -- | 130794 | Mandrel Assembly (Includes Key Numbers 13-15, 17-19, 31 and 33) |
| 36 | 131494 | Pulley, Idler, Flat | -- | 175254 | Mower Deck, Complete |
| 40 | 73680600 | Nut Crownlock 3/8-16 | | | |
| 45 | 4497H | Retainer, Spring | | | |
| 53 | 130840 | Brake Assembly | | | |
| 54 | 133943 | Washer, Hardened | | | |
| 55 | 133840 | Idler Arm Assembly | | | |

NOTE: All component dimensions given in U.S. inches
1 inch = 25.4 mm

TRACTOR - - MODEL NUMBER BL12T36 (BLT1236A)

SCHEMATIC



| POSITION | CIRCUIT | "MAKE" |
|-----------|------------|--------|
| OFF | M+G+A1 | NONE |
| RUN/LIGHT | B+A1 | A2+L |
| RUN | B+A1 | NONE |
| START | B + S + A1 | NONE |

WIRING INSULATED CLIPS

NOTE: IF WIRING INSULATED CLIPS WERE REMOVED FOR SERVICING OF UNIT, THEY SHOULD BE REPLACED TO PROPERLY SECURE YOUR WIRING.