

ILLUSTRATED PARTS BREAKDOWN

BERNARD

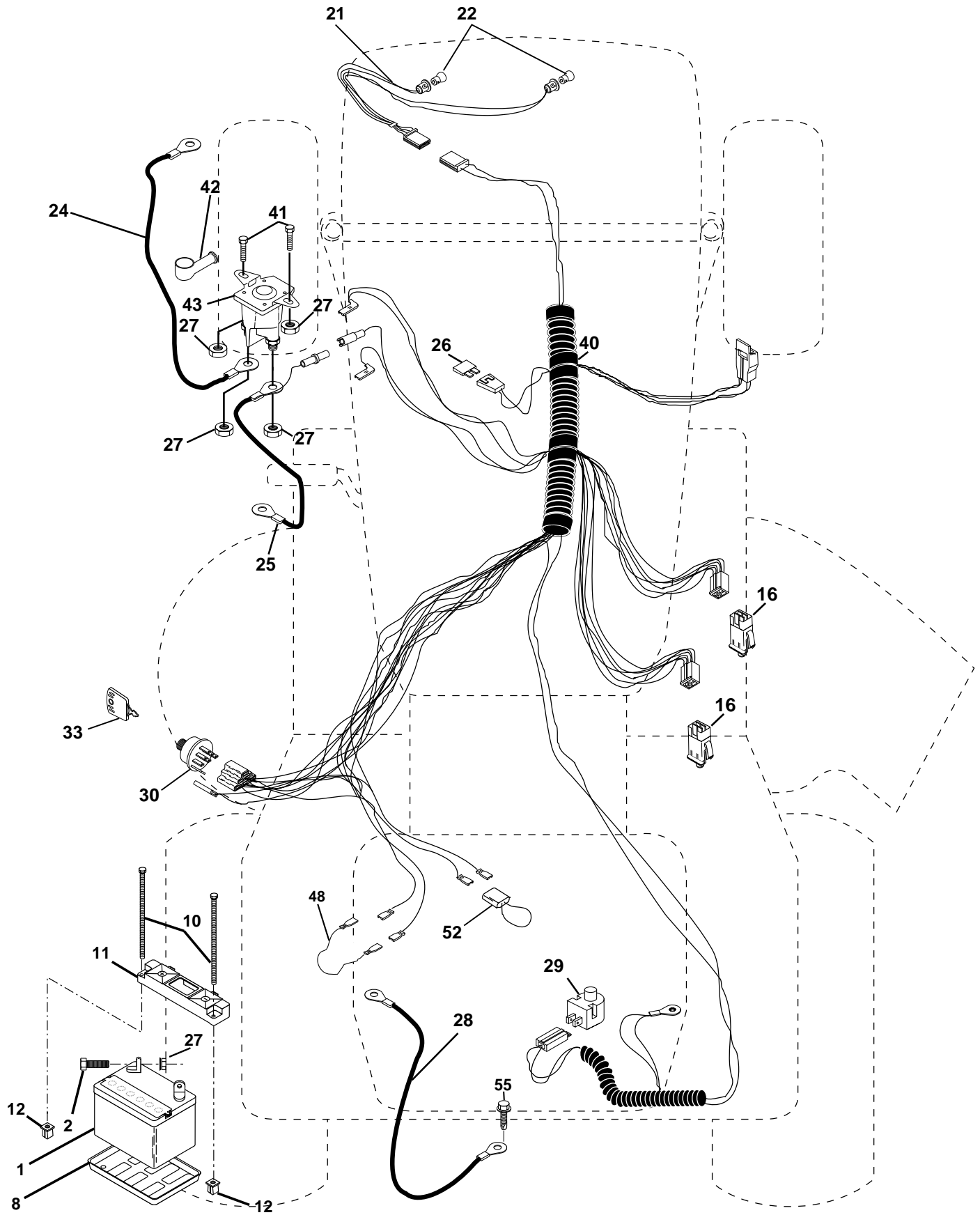
18 HP LAWN TRACTOR

MODEL NO. BL1842ST (BL18T42STB)

REPAIR PARTS

TRACTOR - - MODEL NO. BL1842ST (BL18T42STB)

ELECTRICAL



REPAIR PARTS

TRACTOR - - MODEL NO. BL1842ST (BL18T42STB)

ELECTRICAL

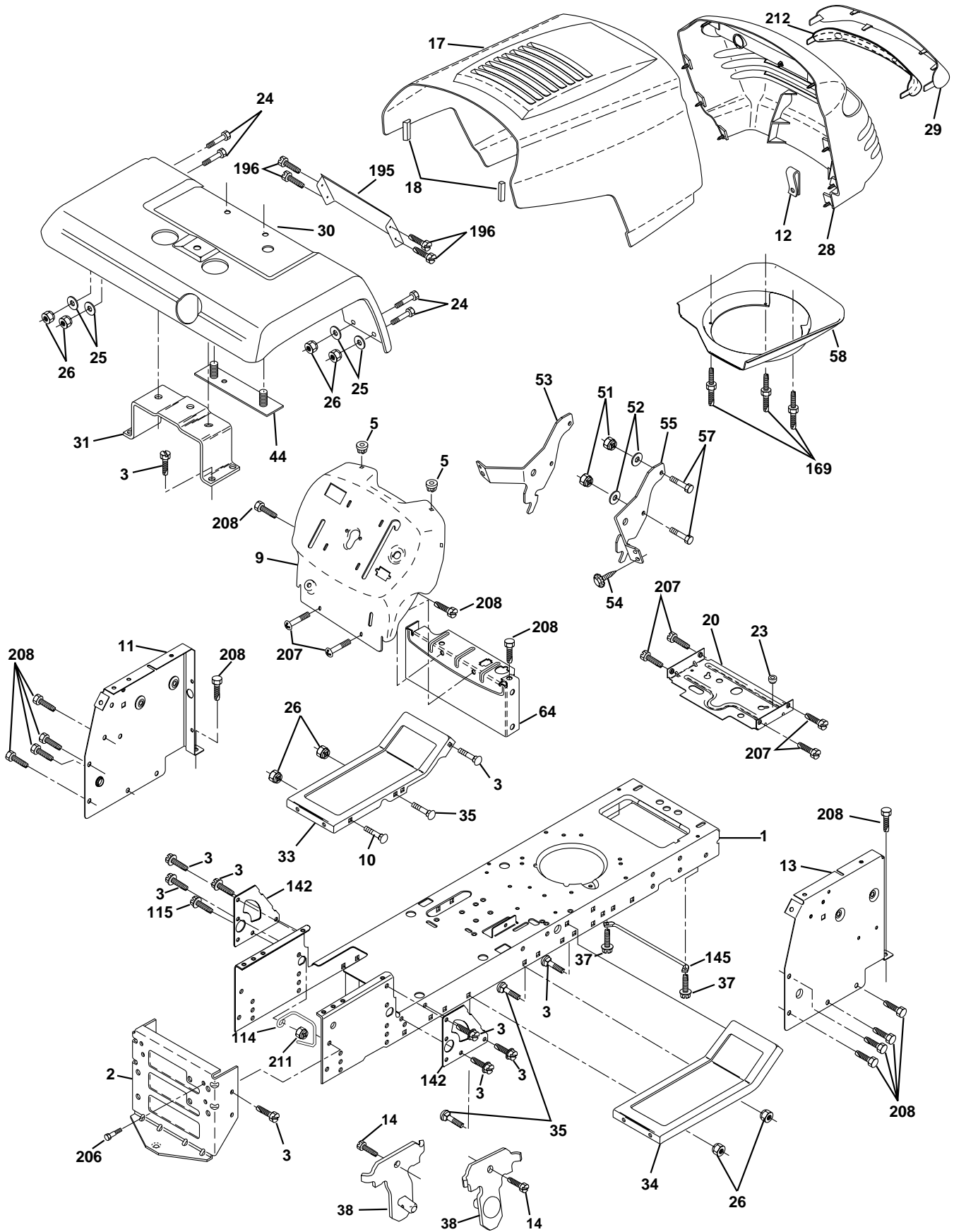
KEY NO.	PART NO.	DESCRIPTION
1	163465	Battery
2	74760412	Bolt Hex Hd 1/4-20unc X 3/4
8	7603J	Tray Battery
10	145211	Bolt Battery Front 1/4-20 x 7.5 zinc
11	150109	Holddown Battery
12	145769	Nut Push Nylon 1/4" Battery Front
16	153664	Switch Interlock Push-In
21	166181	Harness Socket Light
22	4152J	Bulb, Light # 1156
24	4799J	Cable Battery
25	146148	Cable Battery
26	175158	Fuse
27	73510400	Nut Keps Hex 1/4-20 Unc
28	145491	Cable Ground
29	121305X	Switch Plunger Nc Gray
30	175566	Switch Ign
33	140401	Key Ign
40	178437	Harness Ign
41	71110408	Bolt Fin Hex 1/4-20uncx 1/2
42	131563	Cover Terminal Red
43	175141	Solenoid
48	140844	Adapter Ammeter
52	141940	Protection Loop
55	17490508	Screw Thdrol 5/16-18 x 1/2

NOTE: All component dimensions given in U.S. inches
1 inch = 25.4 mm

REPAIR PARTS

TRACTOR - - MODEL NO. BL1842ST (BL18T42STB)

CHASSIS AND ENCLOSURES



REPAIR PARTS

TRACTOR - - MODEL NO. BL1842ST (BL18T42STB)

CHASSIS AND ENCLOSURES

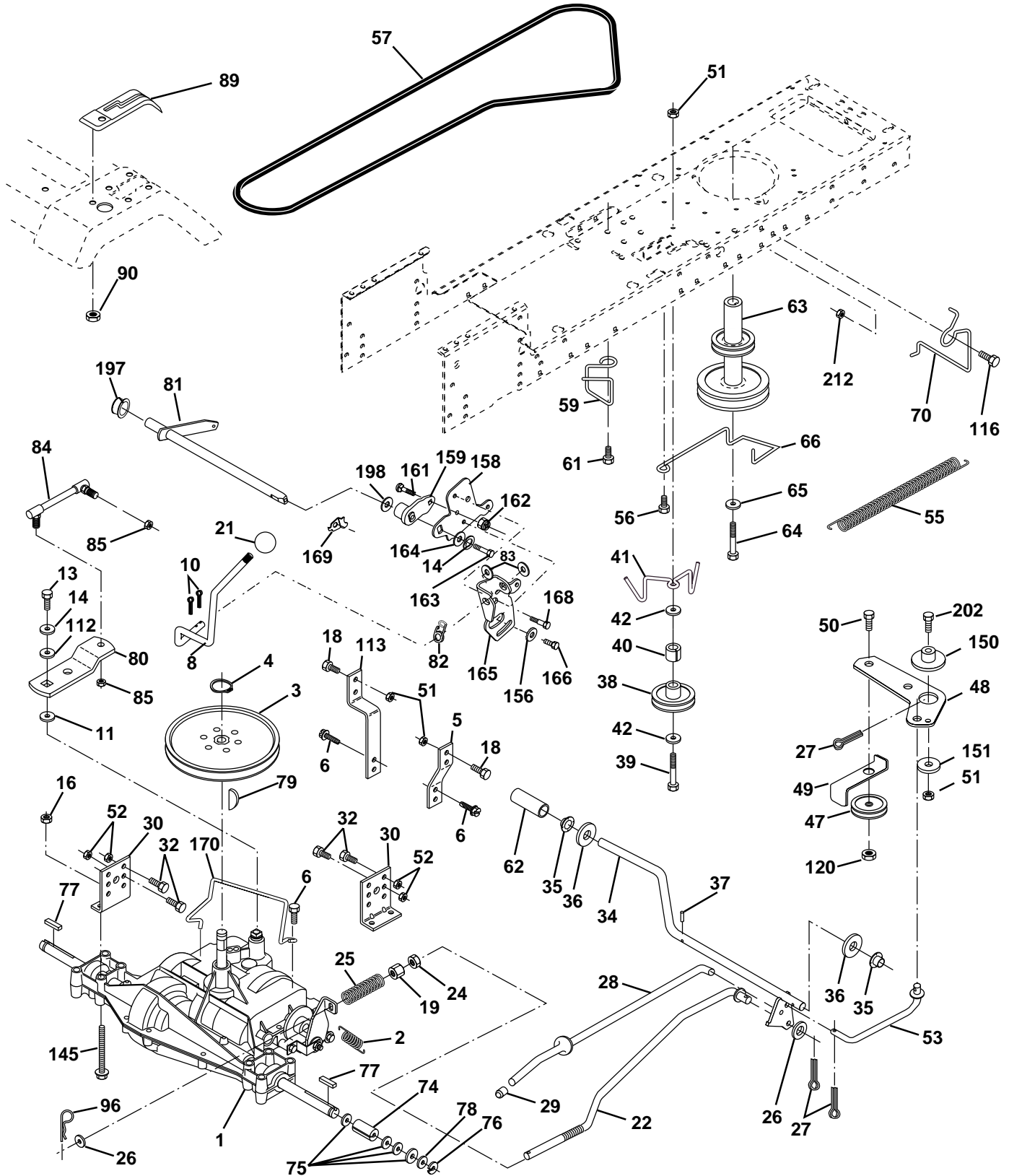
KEY NO.	PART NO.	DESCRIPTION
1	174619	Chassis
2	176554	Drawbar, Stretch
3	17060612	Screw 3/8-16x.75
5	155272	Bumper Hood/Dash
9	168336X010	Dash
10	72140608	Bolt Carriage 3/8-16 x 1
11	155927	Panel Dash Lh
12	145660	Clip Tinnerman
13	172107X010	Panel Dash Rh
14	17490608	Screw Thdrol 3/8-16 x 1/2
17	159639X421	Hood
18	126938X	Bumper Hood
20	156437	Plate Mtg Battery Fuel Tank Fr
23	124028X	Bushing
24	74780616	Bolt Fin Hex 3/8-16 x 1 Gr 5
25	19131312	Washer 13/32 X 13/16 X 12 Ga
26	73800600	Nut Lock Hex W/Ins 3/8-16 Unc
28	170474	Grille/Lens Asm
29	170472X599	Lens LT/PL
30	168750X421	Fender PNT
31	175315	Bracket Fender
33	145244X418	Footrest Pnt Lh
34	145243X418	Footrest Pnt Rh
35	72110606	Bolt Rdhd Sht Sqnk 3/8-16 x 3/4
37	17490508	Screw Thdrol 6/16-18 x 1/2 TYT
38	175710	Bracket, Pivot, Mower Rear
44	140675	Strap Asm Fender
51	73800400	Nut Lock Hex W/Ins 1/4-20
52	19091416	Washer 9/32 x 7/8 x 16 Ga.
53	144697	Bracket Grille Lh
54	161464	Screw Hex Wshd 8-18 x 7/8
55	144696	Bracket Grille Rh
57	74780412	Bolt Hex 1/4-20 x 3/4
58	175295	Duct Air
64	154798	Dash Lower STLT
114	158112	Keeper Belt Rear STL p930
115	17060620	Screw 3/8-16 x 1-1/4
142	165867	Plate Reinforcement STLT
145	156524	Rod Pivot Chassis/Hood
169	72-226	Stud, Threaded
195	166822X421	Panel Fender
196	17580408	Screw Tap Tite 1/4-20 x 1/2
206	170165	Bolt Shoulder 5/16-18 TT
207	17670508	Screw Thdrol 5/16-18 x 1/2
208	17670608	Screw Thdrol 3/8-16 x 1/2
211	145212	Nut Hex flange Lock
212	174503	Insert Lens Reflect
--	5479J	Plug Button

NOTE: All component dimensions given in U.S. inches
1 inch = 25.4 mm

REPAIR PARTS

TRACTOR - - MODEL NO. BL1842ST (BL18T42STB)

DRIVE



REPAIR PARTS

TRACTOR - - MODEL NO. BL1842ST (BL18T42STB)

DRIVE

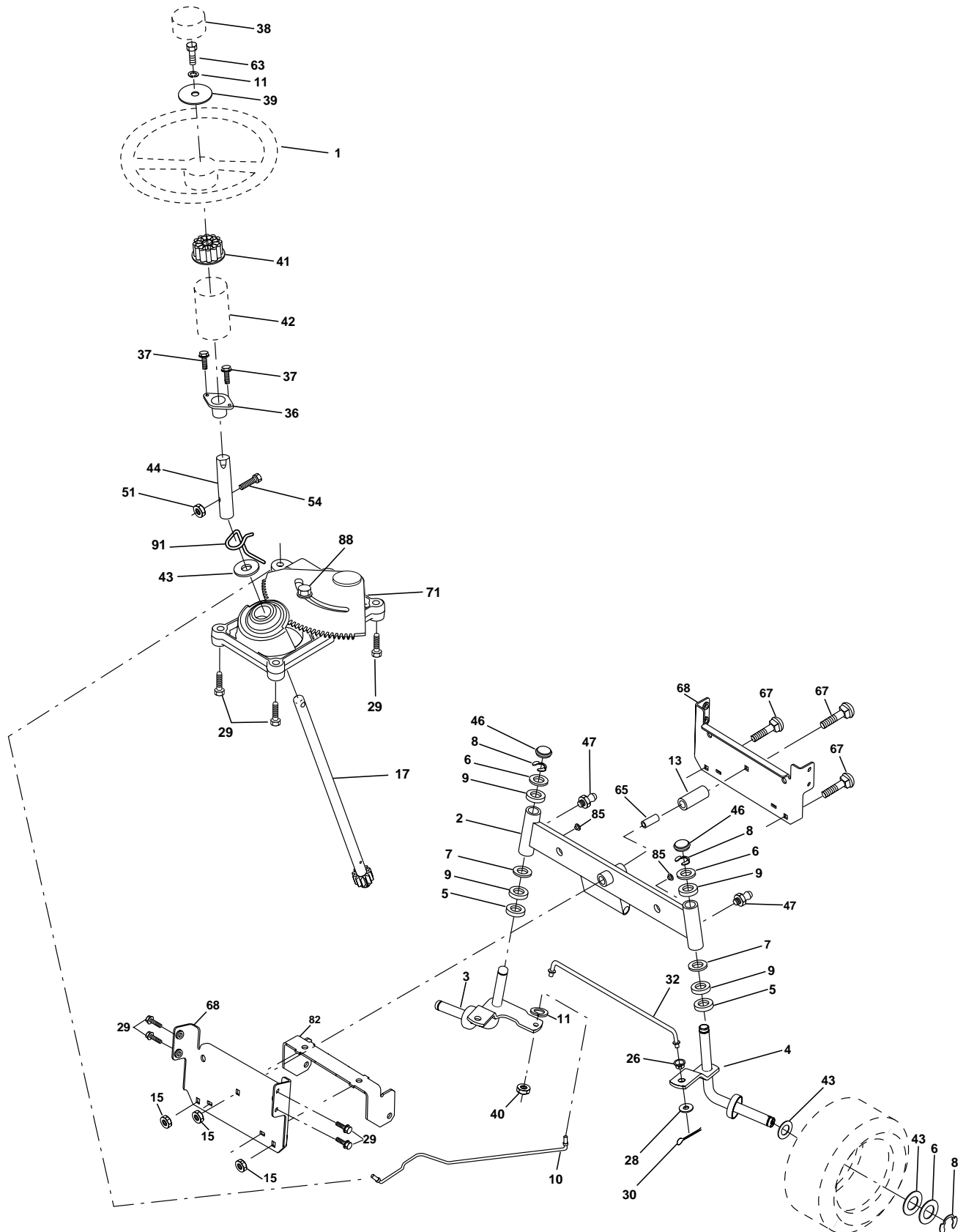
KEY NO.	PART NO.	DESCRIPTION	KEY NO.	PART NO.	DESCRIPTION
1	-----	Transaxle Peerless (206-545C) (Order parts from transaxle manufacturer)	62	8883R	Cover Pedal Blk Round
2	146682	Spring Return Brake T/a Zinc	63	175410	Engine Pulley
3	123666X	Pulley Transaxle 18" tires	64	71170764	Bolt Hex
4	12000028	Ring Retainer #5100-62	65	10040700	Washer Lock Hvy Hlcl Spr 7/16
5	121520X	Strap Torque 30 Degrees	66	154778	Keeper Belt Engine Foolproof
6	17060512	Screw 5/16-18 X 3/4	70	134683	Guide Belt Mower Drive RH
8	166020	Rod Shift Fender Adjust	74	137057	Spacer Axle
10	76020416	Pin Cotter 1/8 X 1 Cad	75	121749X	Washer 25/32 X 1 1/4 X 16 Ga
11	105701X	Washer Plate Shf 388 Sq Hole	76	12000001	E-ring#5133-75
13	74550412	Bolt 1/4-28 Unf Gr 8 W/Patch	77	123583X	Key Square 2 0 X 1845/ 1865
14	10040400	Washer Lock Hvy Helical	78	121748X	Washer 25/32 X 1-5/8 X 16 Ga
16	73800500	Nut Lock Hex w/Ins 5/16-18 Unc	79	2228M	Key Woodruff #9 3/16 x 3/4
18	74780616	Bolt, Fin Hex 3/8-16 UNC x 1 Gr. 5	80	145090	Arm Shift
19	73800600	Nut Lock 3/8-16 Unc	81	165592	Shaft Asm Cross Tapered PMST/20
21	106933X	Knob	82	123782X	Spring Torsion T/a
22	130804	Rod Brake Blk Zinc 26 840	83	19171216	Washer 17/32 X 3/4 X 16 Ga
24	73350600	Nut Hex Jam 3/8-16 Unc	84	166231	Link Transaxle PMST/20" Zinc
25	106888X	Spring Rod Brake 2 00 Zinc	85	150360	Nut Lock Center 1/4 - 28 FNTHD
26	19131316	Washer 13/32 X 13/16 X 16 Ga	89	139991X428	Console Shift
27	76020412	Pin Cotter 1/8 X 3/4 Cad	90	124346X	Nut Self-thd Wsh-hd 1/4 Zinc
28	175765	Rod Brake Parking LT/YT	96	4497H	Retainer Spring 1"
29	71673	Cap Brake Parking	112	19091210	Washer 9/32 x 3/4 x 10 Ga.
30	169592	Bracket Mtg Transaxle	113	127285X	Strap Torque LT
32	74760512	Bolt Hex Hd 5/16-18unc X 3/4	116	72110608	Bolt Rdhd Sq Neck 3/8-16 x 1.00
34	175578	Shaft Asm Pedal Foot	120	73900600	Nut Lock Flg 3/8-16 Unc
35	120183X	Bearing Nylon Blk 629 Id	145	74490540	Bolt Hex FLGHD 5/16-18 Gr. 5
36	19211616	Washer 21/32 X 1 X 16 Ga	150	175456	Spacer Retainer
37	1572H	Pin Roll 3/16 X 1"	151	19133210	Washer 13/32 x 2 x 10
38	165936	Pulley Idler Flat	156	166002	Washer Srrted 5/16ID x 1.125
39	74760648	Bolt Fin Hex 3/8-16 unc x 3	158	165589	Bracket Shift Mount
40	175461	Spacer Split	159	165494	Hub Tapered Flange Shift Lt
41	175556	Keeper Belt Flat Idler	161	72140406	Bolt Rdhd Sqnk 1/4-20 x 3/4 Gr 5
42	19131312	Washer 13/32 X 13/16 X 12 Ga	162	73680400	Nut Crownlock 1/4-20 Unc
47	127783	Pulley Idler V Groove Plastic	163	74780416	Bolt Hex Fin 1/4-20 Unc x 1 Gr 5
48	154407	Bellcrank Asm	164	19091010	Washer 5/8 x .281 x 10 Ga
49	123205X	Retainer Belt Style Spring	165	165623	Bracket Pivot Lever
50	74760624	Bolt Hex Hd 3/8-16unc X 1-1/2	166	166880	Screw 5/16-18 x 5/8
51	73680600	Nut Crownlock 3/8-16 Unc	168	165492	Bolt Shoulder 5/16-18 x .561
52	73680500	Nut Crownlock 5/16-18 Unc	169	165580	Plate Fastening
53	105710X	Link Clutch	170	173898	Keeper Belt Transaxle
55	105709X	Spring Return Clutch 6 75	197	169613	Nyliner Snap-In
56	17060616	Screw 3/8-16 X 1.0	198	169593	Washer Nyliner
57	130801	V-Belt Ground Drive 95 25	202	72110612	Bolt Carriage Shoulder 3/8-16 x 1-1/2 Gr. 5
59	169691	Keeper Belt Span Ctr	212	145212	Nut Flange Lock
61	17060612	Screw 3/8-16x.75			

NOTE: All component dimensions given in U.S. inches
1 inch = 25.4 mm

REPAIR PARTS

TRACTOR - - MODEL NO. BL1842ST (BL18T42STB)

STEERING ASSEMBLY



REPAIR PARTS

TRACTOR - - MODEL NO. BL1842ST (BL18T42STB)

STEERING ASSEMBLY

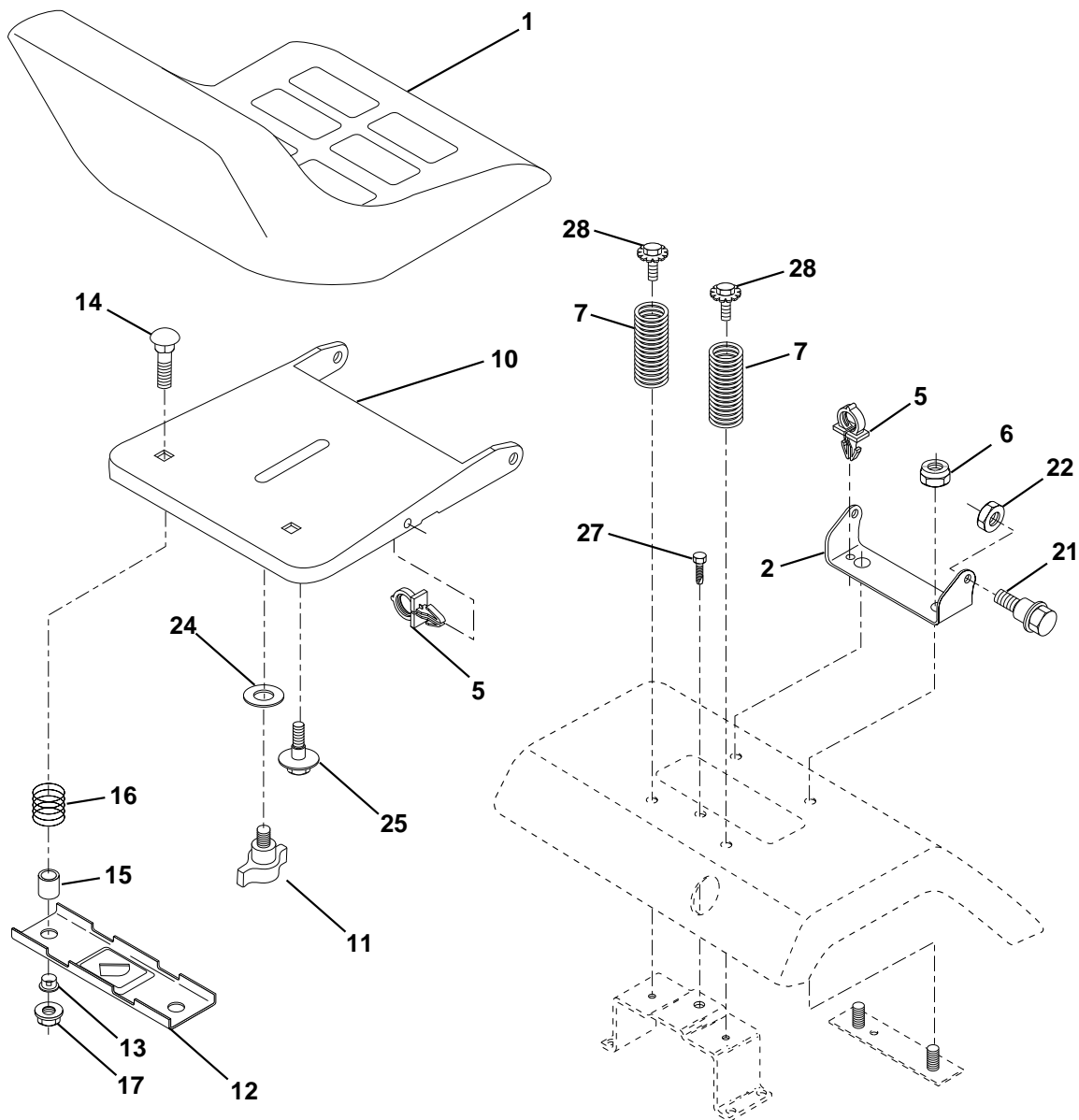
KEY NO.	PART NO.	DESCRIPTION
1	139768	Wheel Steering
2	154427	Axle Asm Stmp Dropped STLT
3	169840	Spindle Asm LH
4	169839	Spindle Asm RH
5	6266H	Bearing Race Thrust Harden
6	121748X	Washer 25/32 X 1-5/8 X 16 Ga
7	19272016	Washer 27/32 X 1-1/4 X 16 Ga
8	12000029	Ring Klip #t5304-75
9	3366R	Bearing Col Strg Blk
10	175121	Link Drag
11	10040600	Washer Lock Hvy Hlcl Spr 3/8
13	136518	Spacer Bearing Axle Front
15	145212	Hex Lock Flange
17	177876	Shaft Asm Strg
26	126847X	Bushing Link Drag
28	19131416	Washer 13/32 x 7/8 x 16 Ga.
29	17060612	Screw 3/8-16x.75
30	76020412	Pin Cotter 1/8 x 3/4 Cad.
32	130465	Rod Tie
36	155099	Bushing Strg
37	152927	Screw
38	140175	Insert Cap Strg Wh
39	19133812	Washer 13/32 X 2-3/8 X 12 Ga
40	7810H	Lock nut
41	100711L	Adaptor Wheel Strg
42	145054X428	Boot Steering Dash
43	121749X	Washer 25/32 X 1 1/4 X 16 Ga
44	153720	Extension Steering Shaft LR/LT
46	121232X	Cap Spindle Fr Top Blk
47	6855M	Fitting Grease
51	73800500	Nut Lock Hex w/Ins 5/16-18
54	74780520	Bolt Fin Hex 5/16-18 Unc x 1-1/4
63	74780616	Bolt Fin Hex 3/8-16unc x 1 Gr. 5
65	160367	Spacer Brace Axle
67	72140618	Bolt Rdhd Sq 3/8-16 x 2-1/4
68	169827	Axle, Brace
71	175146	Steering Asm
82	169835	Bracket Suspension Chassis Front
85	133835	Fastener Christmas Tree
88	175118	Bolt Shoulder 7/16-20 Unc
91	175553	Clip Steering

NOTE: All component dimensions given in U.S. inches
1 inch = 25.4 mm

REPAIR PARTS

TRACTOR - - MODEL NO. BL1842ST (BL18T42STB)

SEAT ASSEMBLY



KEY NO.	PART NO.	DESCRIPTION
1	175390	Seat
2	140551	Bracket Pivot Seat 8 720
5	145006	Clip Push-In
6	73800600	Nut Hex w/Ins. 3/8-16 Unc
7	124181X	Spring Seat Cprsn 2 250 Blk Zi
10	174894	Pan Seat
11	166369	Knob Seat
12	121246X	Bracket Mounting Switch
13	121248X	Bushing Snap Blk Nyl 50 Id
14	72050412	Bolt Rdhd Sqnk 1/4-20x1-1/2
15	121249X	Spacer Split 28x 88

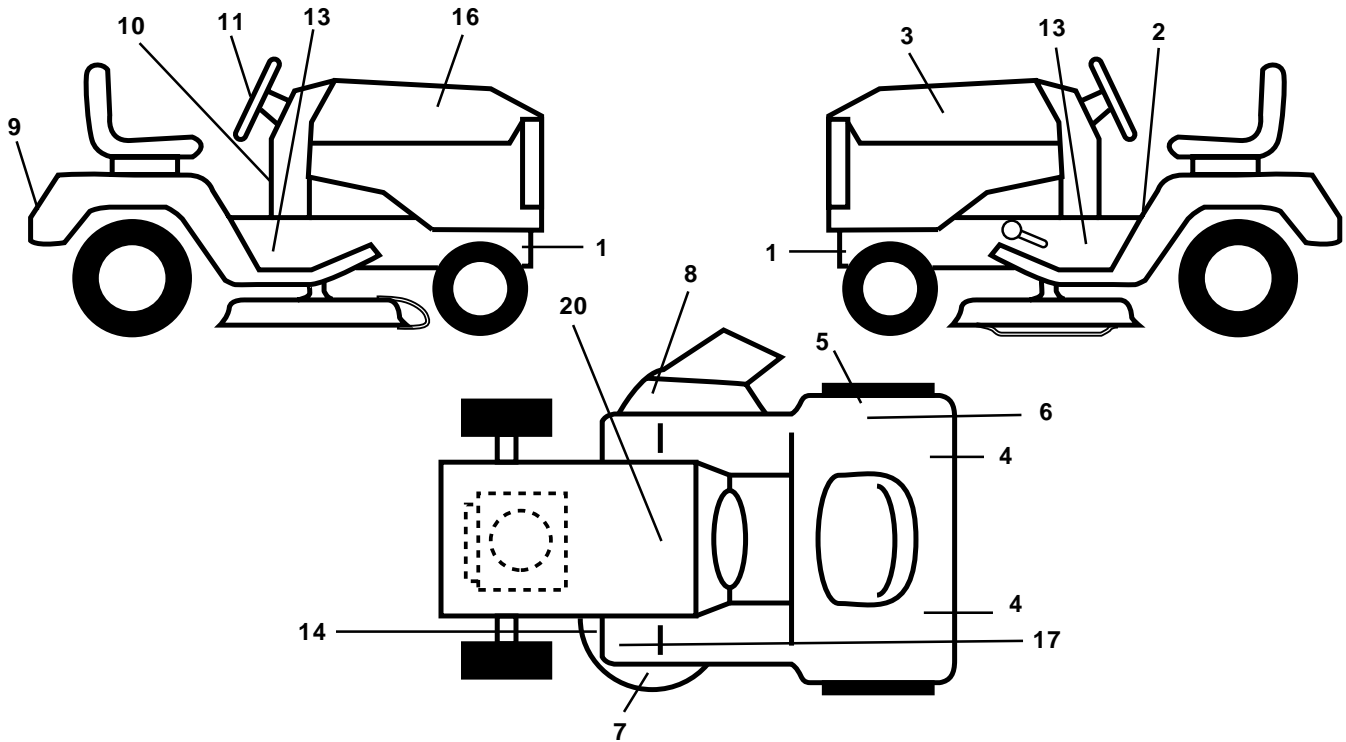
KEY NO.	PART NO.	DESCRIPTION
16	123740X	Spring Cprsn
17	123976X	Nut Lock 1/4 Lge Flg Gr 5 Zinc
21	171852	Bolt Shoulder
22	73800500	Nut Hex Lock W/Ins 5/16-18
24	19171912	Washer 17/32 X 1-3/16 X 12 Ga.
25	127018X	Bolt Shoulder 5/16-18 X 62
27	17490608	Screw Thdrol 3/8-16 x 1/2
28	171877	Bolt 5/16-18 Unc x 3/4

NOTE: All component dimensions given in U.S. inches
1 inch = 25.4 mm

REPAIR PARTS

TRACTOR - - MODEL NO. BL1842ST (BL18T42STB)

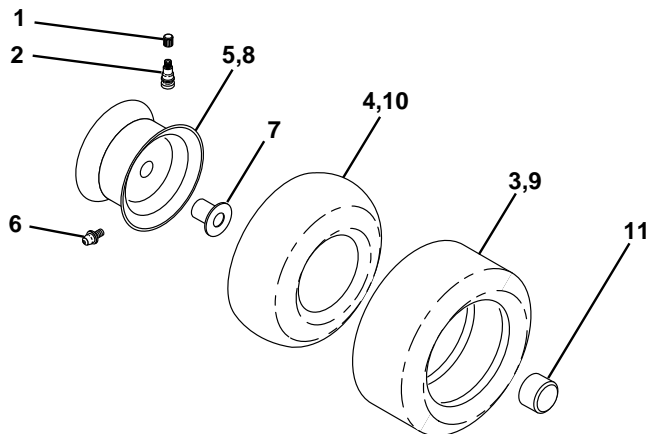
DECALS



KEY NO.	PART NO.	DESCRIPTION
1	159736	Decal Hot Muffler
2	145498	Decal Read Owners Manual
3	175953	Decal Hood LH
4	106202X	Reflector, Taillight
5	124187X	Decal 100 DBA Certif
6	145437	Decal Europe Stand CE
7	134999	Decal Enviro
8	145494	Decal Warning
9	166708	Decal Fender Logo
10	140837	Decal Brake Parking Saddle

KEY NO.	PART NO.	DESCRIPTION
11	166285	Decal Ins Strg Whl
13	157624	Decal Chassis
14	160396	Decal V-Belt Schematic
16	175952	Decal Hood Rh
17	159737	Decal Clutch/Brake
20	145005	Decal Bat Dan/Psn
--	162598	Decal Drawbar
--	157199X428	Pad Footrest
--	138311	Decal Handle Lft Height Adjust
--	176228	Manual Oper. (Euro)

WHEELS AND TIRES



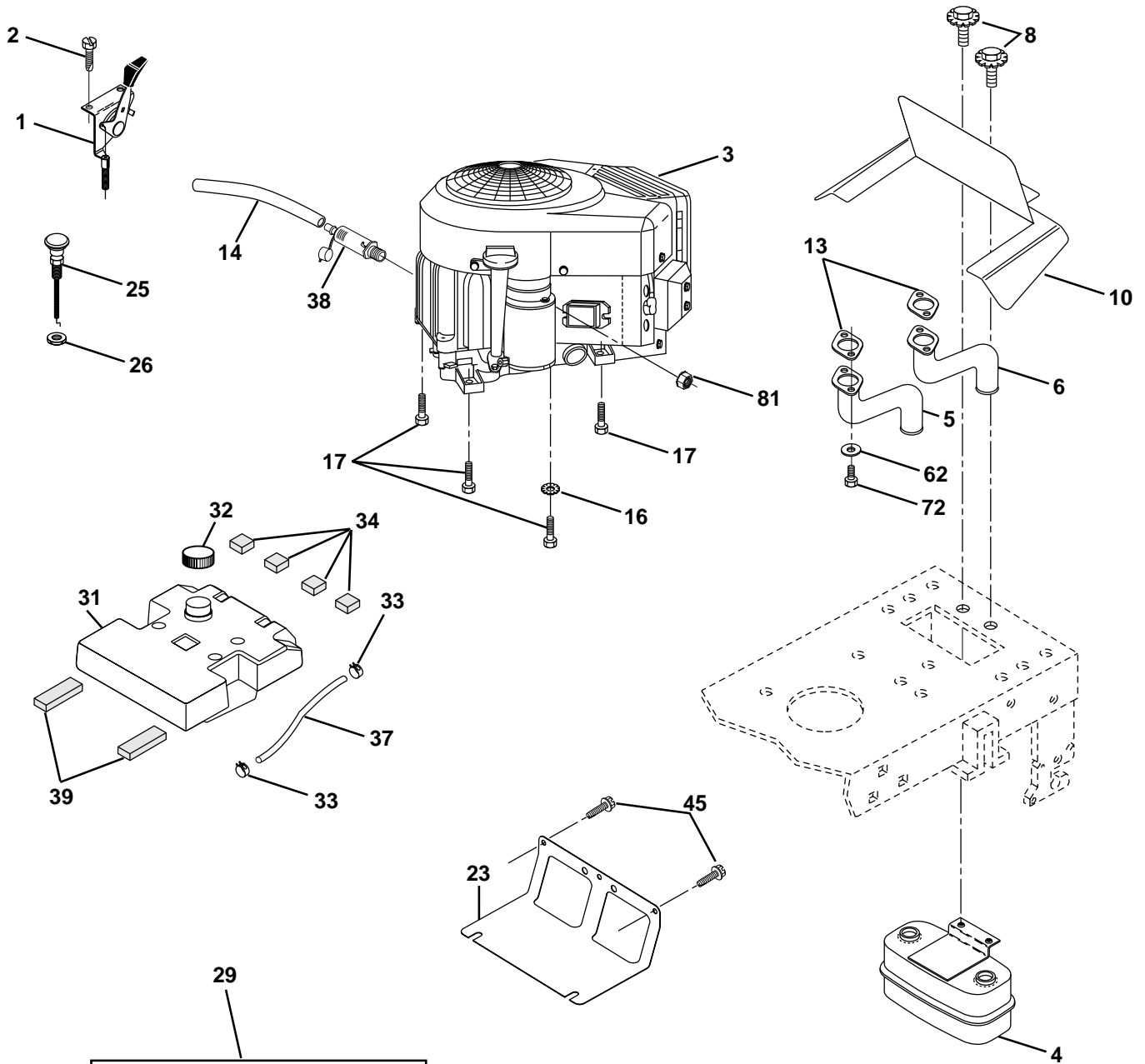
KEY NO.	PART NO.	DESCRIPTION
1	59192	Cap Valve Tire
2	65139	Stem Valve
3	106222X	Tire F Ts 15 X 6 0 - 6 Service
4	59904	Tube Front (Service Item Only)
5	106732X421	Rim Asm 6"front Service
6	278H	Fitting Grease (Front Wheel Only)
7	9040H	Bearing Flange (Front Wheel Only)
8	106108X421	Rim Asm 8"rear Service
9	122082X	Tire R Ts 20x10-8 C Service
10	7152J	Tube Rear (Service Item Only)
11	104757X428	Cap Axle Blk 1 50 X 1 00
--	144334	Sealant, Tire (10 oz. Tube)

NOTE: All component dimensions given in U.S. inches
1 inch = 25.4 mm

REPAIR PARTS

TRACTOR - - MODEL NO. BL1842ST (BL18T42STB)

ENGINE



OPTIONAL EQUIPMENT
Spark Arrester

REPAIR PARTS

TRACTOR - - MODEL NO. BL1842ST (BL18T42STB)

ENGINE

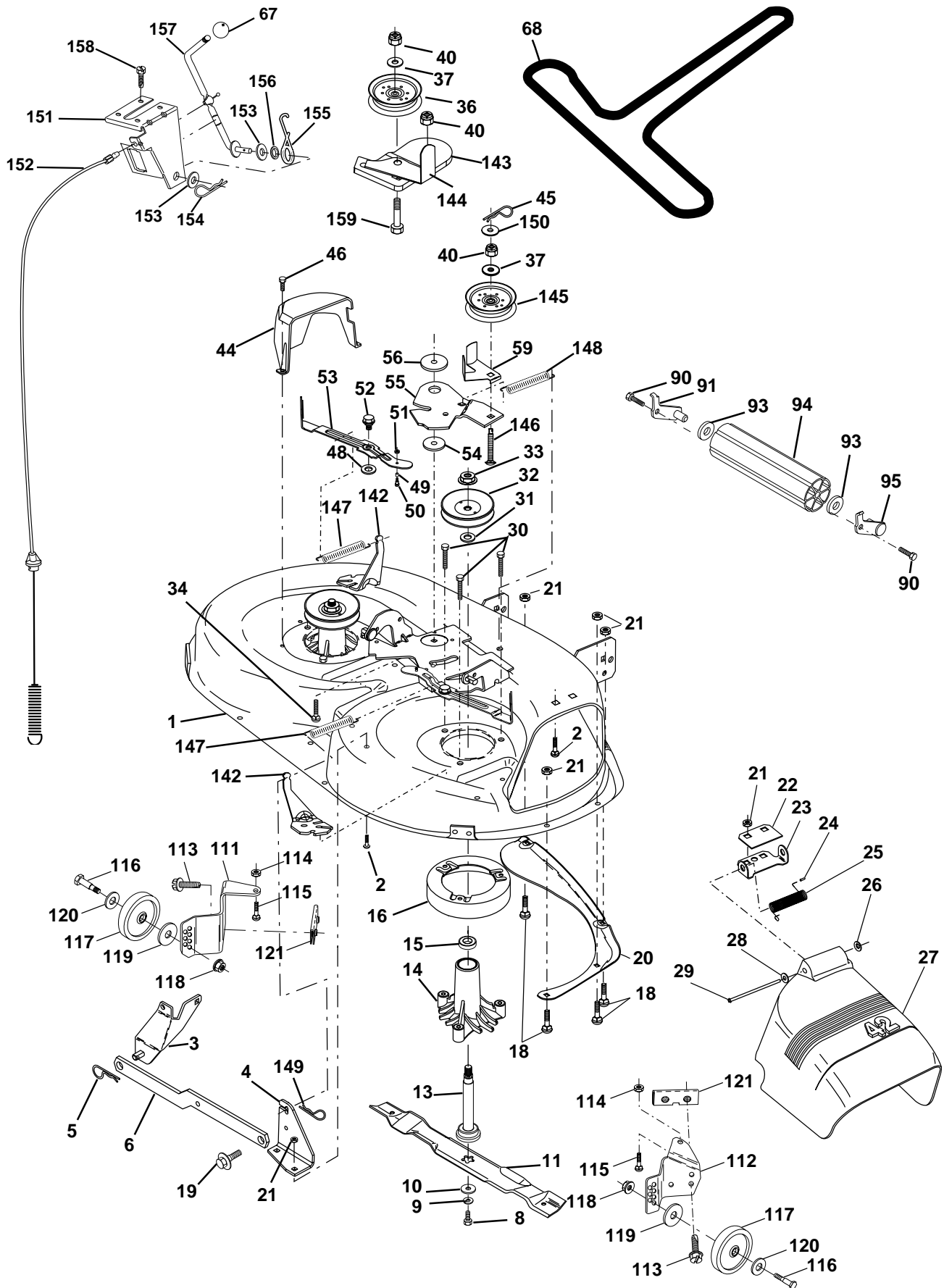
KEY NO.	PART NO.	DESCRIPTION
1	170803	Control Throttle
2	17720410	Screw Hex Thd Cut 1/4-20x5/8 T
3	-----	Engine, Tecumseh Model TVT691 (Order Parts From Engine Manufacturer)
4	149723	Muffler Exhaust
5	174703	Exhaust Tube Muffler Left
6	174704	Exhaust Tube Muffler Right
8	171877	Bolt 5/16-18 Unc x 3/4 w/sems
10	175563	Shield Muffler
13	35-414	Gasket Muffler
14	148456	Tube Drain Oil Easy
16	11050600	Washer Lock Ext Tooth 3/8
23	169837	Shield Brn/Dbr Guard
25	161729	Control Choke
26	73920600	Nut Keps 3/8-24 Unf
29	137180	Arrestor Spark
31	151346	Tank Fuel
32	140527	Cap Fuel
33	123487X	Clamp Hose Black
34	106082X	Pad Spacer
37	8543R	Line Fuel
38	148315	Plug Drain Oil Easy
39	109227X	Pad Idler
45	17000612	Screw Hex wsh Thdrol 3/8-16 x 3/4
62	10040500	Washer Lock Hvy Hlcl 5/16
72	71070512	Screw Hex Hd Cap 5/16-18 x 3/4
81	73510400	Nut Keps Hex 1/4-20 Unc
105	17120616	Screw 3/8-16 x 1
106	160-82	Control Cover
107	42-823	Screw

NOTE: All component dimensions given in U. S.
inches 1 inch = 25.4 mm

REPAIR PARTS

TRACTOR - - MODEL NO. BL1842ST (BL18T42STB)

MOWER DECK



REPAIR PARTS

TRACTOR - - MODEL NO. BL1842ST (BL18T42STB)

MOWER DECK

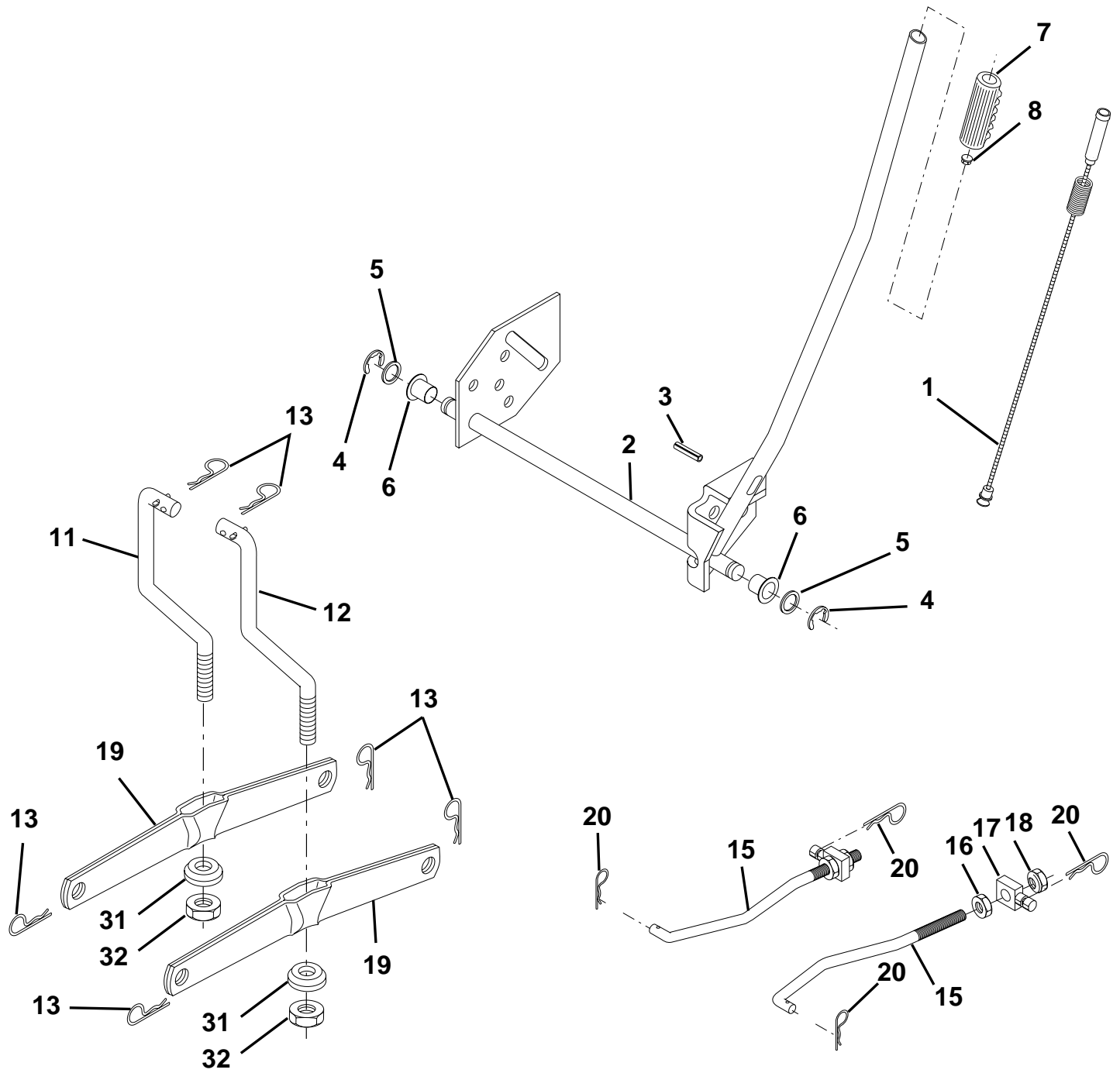
KEY NO.	PART NO.	DESCRIPTION	KEY NO.	PART NO.	DESCRIPTION
1	165892	Mower Deck Assembly, 42"	67	106932X	Knob
2	72140506	Bolt	68	144959	V-Belt
3	138017	Bracket Assembly, Sway Bar, Front	90	17490612	Screw Thdrol 3/8-16 Unc x 3/4
4	165460	Bracket Sway Bar 38/42" Deck	91	175746	Bracket Asm Noseroller LH
5	4939M	Retainer Spring	93	19171416	Washer 17/32 x 7/8 x 16 Ga.
6	130832	Arm, Suspension, Rear	94	132264	Roller Nose
8	850857	Bolt, Hex 3/8-24 x 1.25 Gr. 8	95	175747	Bracket Asm Noseroller RH
9	10030600	Washer, Lock	111	155197	Bracket, Gauge, Wheel L.H.
10	140296	Washer, Hardened	112	155198	Bracket, Gauge, Wheel R.H.
11	138498	Blade, Mulching	113	17060514	Screw Tapping 5/16-18 x Unc
13	137645	Shaft Assembly, Mandrel, Vented	114	73510500	Nut, Hex, Keps 5/16-18 UNC
14	128774	Housing, Mandrel, Vented	115	72110504	Bolt, Carriage 5/16 UNC x 1/2
15	110485X	Bearing, Ball, Mandrel	116	4898H	Bolt, Shoulder
16	174493	Stripper, Mower Deck	117	105455X	Wheel, Gauge
18	72140505	Bolt, Carriage 5/16-18 x 5/8	118	73930600	Nut, Centerlock 3/8-16
19	132827	Bolt, Shoulder	119	19121414	Washer 3/8 x 7/8 x 14 Gauge
20	159770	Baffle, Vortex	120	19171512	Washer 17/32 x 15/16 x 12 Ga.
21	73680500	Nut Crownlock 5/16-18 UNC	121	143723	Bracket
22	134753	Stiffener Bracket	142	165890	Arm Spring Brake Mower
23	131267	Bracket, Deflector	143	157109	Bracket Arm Idler 42"
24	105304X	Cap, Sleeve	144	158634	Keeper Belt 42" Clutch Cable
25	123713X	Spring, Torsion, Deflector	145	165888	Pulley Idler Flat
26	110452X	Nut, Push	146	171977	Bolt Carriage Idler
27	130968x428	Shield, Deflector	147	131335	Spring Extension
28	19111016	Washer 11/32 x 5/8 x 16 Ga.	148	169022	Spring Return Idler
29	131491	Rod, Hinge	149	165898	Retainer Spring Yellow Zinc
30	157722	Screw Thdrol Washer Head	150	19091216	Washer 9/32 x 3/4 x 16 Ga.
31	129963	Washer, Spacer	151	169670	Bracket Clutch
32	153535	Pulley, Mandrel	152	169676	Cable Clutch 42 In
33	137266	Nut, Toplock, Flanged	153	169674	Washer Flat 3/8" Type B
34	72110614	Bolt	154	169675	Spring Retainer
36	131494	Pulley, Idler, Flat	155	169671	Spring Retention Lever
37	19131316	Washer 13/32 x 13/16 x 16 Gauge	156	169672	Spacer
40	73680600	Nut Crownlock 3/8-16 UNC	157	169669	Rod Clutch
44	140088	Guard, Mandrel, L.H.	158	17720410	Screw Hex Thd Cut 1/4-20 x 5/8
45	4497h	Retainer	159	72140614	Bolt RdHd Sqn 3/8-16 Unc x 1-3/4
46	137729	Screw, Thd. Roll 1/4-20 x 5/8	--	130794	Mandrel Assembly (Includes Key Numbers 8-10, 13-15, 31 and 32)
48	133944	Washer, Hardened	--	171491	Mower Deck, Complete (Standard Deck, Order Separately Mulcher Plate and Gauge Wheel Components, Key Nos. 101-106 and 111-121)
49	174284	Roller Assembly, Cam Follower			
50	131340	Bolt, Shoulder #10-24 Grade 5			
51	69180	Locknut			
52	139888	Bolt, Shoulder 5/16-18 UNC			
53	131845	Arm Assembly, Pad, Brake			
54	133943	Washer, Hardened			
55	155046	Arm, Idler			
56	165723	Spacer, Retainer			
59	141043	Guard, TUV Idler			

NOTE: All component dimensions given in U.S. inches
1 inch = 25.4 mm

REPAIR PARTS

TRACTOR - - MODEL NO. BL1842ST (BL18T42STB)

MOWER LIFT



REPAIR PARTS

TRACTOR - - MODEL NO. BL1842ST (BL18T42STB)

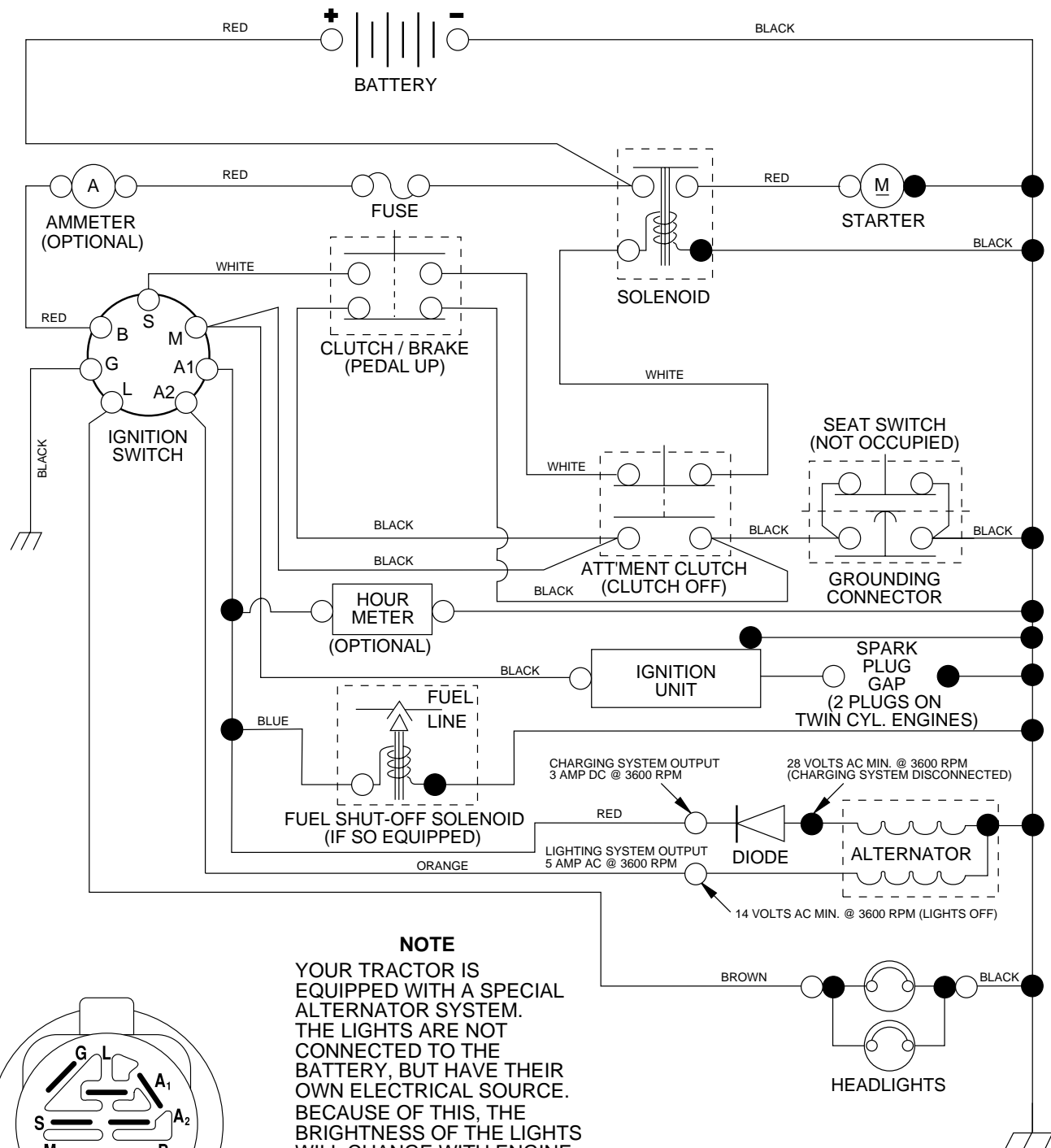
MOWER LIFT

KEY NO.	PART NO.	DESCRIPTION
1	159460	Wire Asm Inner/Sprg W/plunger LT
2	159471	Shaft Asm Lift RH w/Inf
3	105767X	Pin Groove 1 500 Zinc
4	12000002	E Ring #5133-62
5	19211621	Washer 21/32 X 1 X 21 Ga
6	120183X	Bearing Nylon Blk 629 Id
7	109413X	Grip Handle
8	124526X	Button Plunger Black
11	139865	Link Lift LH Fixed Length
12	139866	Link Lift RH Fixed Length
13	4939M	Retainer Spring
15	173288	Link Front
16	73350800	Nut Jam Hex 1/2-13 Unc
17	130171	Trunnion Blk Zinc
18	73800800	Nut Lock w/Wsh 1/2-13 Unc
19	139868	Arm Suspension Rear
20	163552	Retainer Spring
31	169865	Bearing Pvt Lift Spherical
32	73540600	Nut Crownlock 3/8 - 24

NOTE: All component dimensions given in U.S. inches
1 inch = 25.4 mm

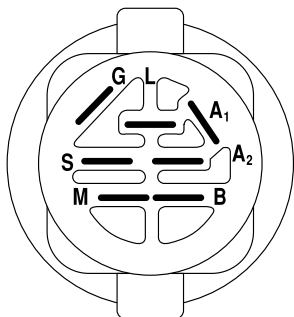
TRACTOR - - MODEL NO. BL1842ST (BL18T42STB)

SCHEMATIC



NOTE

YOUR TRACTOR IS EQUIPPED WITH A SPECIAL ALTERNATOR SYSTEM. THE LIGHTS ARE NOT CONNECTED TO THE BATTERY, BUT HAVE THEIR OWN ELECTRICAL SOURCE. BECAUSE OF THIS, THE BRIGHTNESS OF THE LIGHTS WILL CHANGE WITH ENGINE SPEED. AT IDLE THE LIGHTS WILL DIM. AS THE ENGINE IS SPEEDED UP, THE LIGHTS WILL BECOME THEIR BRIGHTEST.



IGNITION SWITCH

POSITION	CIRCUIT	"MAKE"
OFF	M+G+A1	NONE
RUN/LIGHT	B+A1	A2+L
RUN	B+A1	NONE
START	B + S + A1	NONE

WIRING INSULATED CLIPS

NOTE: IF WIRING INSULATED CLIPS WERE REMOVED FOR SERVICING OF UNIT, THEY SHOULD BE REPLACED TO PROPERLY SECURE YOUR WIRING.

NON-REMOVABLE CONNECTIONS

REMOVABLE CONNECTIONS